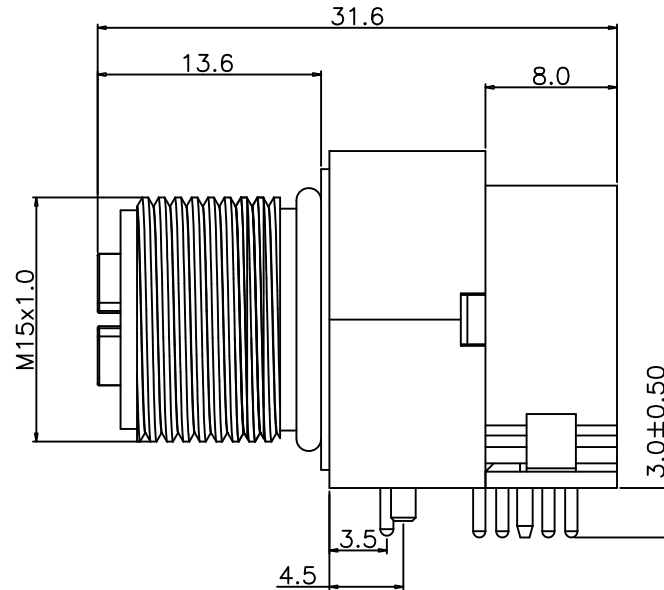
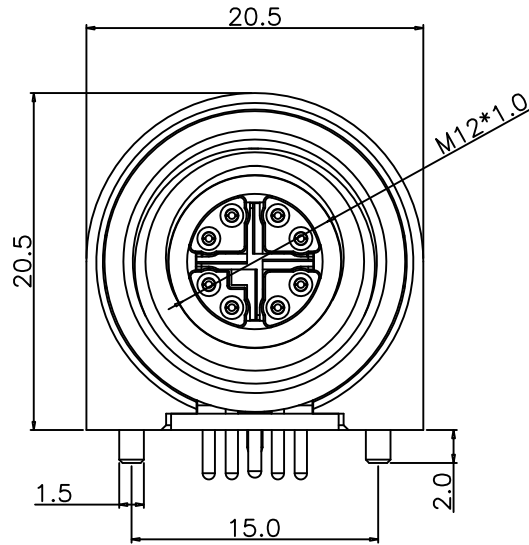


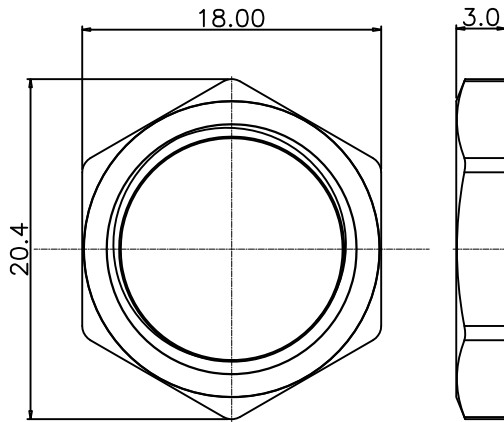
This document is the property of Nian-Yeong Corporation and is delivered on the express condition that it is not to be disclosed, reproduced or used, in whole or in part, for manufacture or sale by anyone other than Nian-Yeong Corporation without its prior consent, and that no right is granted to disclose or to use any information in this document.

CUSTOMER DRAWING

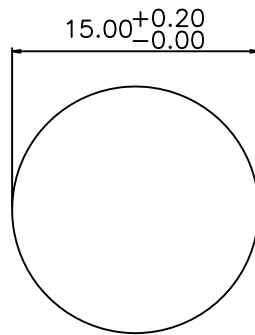
REV.	DESCRIPTION	APPROVED BY	DATE	ECN NO.
A	RELEASE	Ku Chou	23/08/19*	
B				
C				



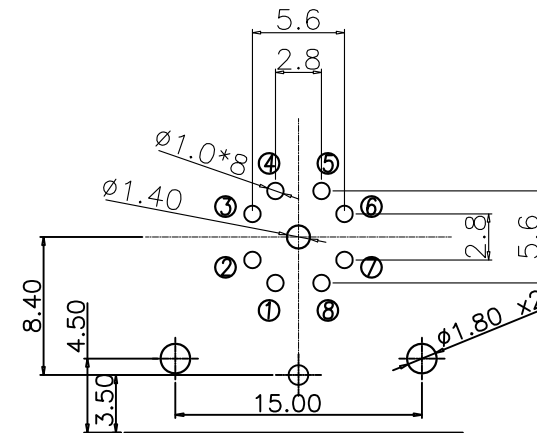
- MATERIAL :
 - HOUSING : PA66 ; COLOR : BLACK
 - CONTACT : BRASS.
 - NUT : BRASS.
 - SHELL : BRASS.
 - O-RING : EPDM
 - X-SHELL : Zn ALLOY
 - BACK HOUSING : PBT UL94V-0 ; COLOR : BLACK
 - DOWN HOUSING : PBT UL94V-0 ; COLOR : BLACK
 - GROUND : BRASS.
- FINISH :
 - CONTACT : 10u" MIN. GOLD PLATED
UNDER PLATE : NICKEL
 - NUT : NICKEL PLATED
 - SHELL : NICKEL PLATED
 - X-SHELL : NICKEL PLATED
 - GROUND : TIN PLATED
- ELECTRICAL SPECIFICATION :
 - Rated current : 0.5A
 - Rated Voltage : 50V AC/60V DC
 - Water proof : IP67
- Environmental :
 - Operation Temperature : -40℃~85℃



NUT



RECOMMEND PANEL CUT-OUT



RECOMMEND P.C.B LAYOUT

DRAWN	Emily Suen	APP'D	Ku Chou	UNIT	mm	TOLERANCE	 NIAN YEONG ENTERPRISE 年永實業有限公司	TITLE	WP M12 8PIN X-CODE (F) 前鎖90° DIP+接地			SHEET	 VERSION A
CHK'D	Ku Chou			SCALE	1:1	.x ±0.20 .xx ±0.10 .xxx ±0.05 .xxxx ±0.01 ANGULA ±1°		PART NO.	WP-08F3-09-11	DWG NO.	QC9966		