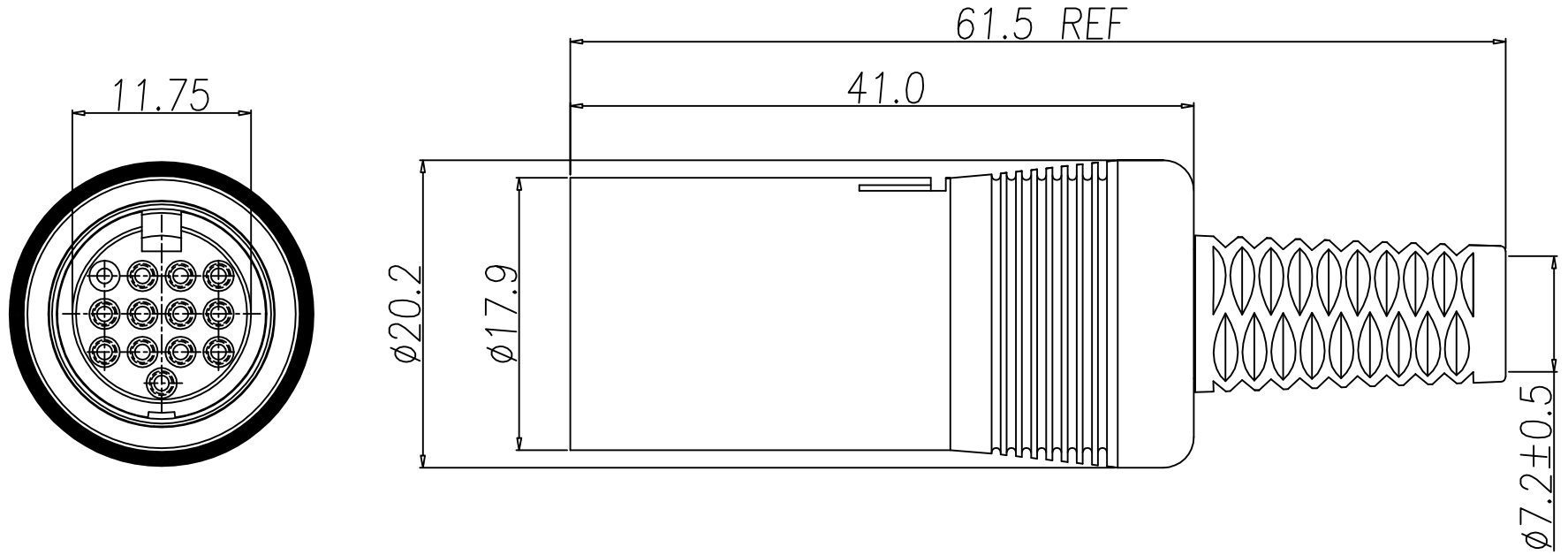


This document is the property of Nian-Yeong Corporation and is delivered on the express condition that it is not to be disclosed, reproduced or used, in whole or in part, for manufacture or sale by anyone other than Nian-Yeong Corporation without its prior consent, and that no right is granted to disclose or to use any information in this document.

CUSTOMER DRAWING

REV.	DESCRIPTION	APPROVED BY	DATE	ECN NO.
A	RELEASE	Emily Suen	22/12/08*	
B				
C				



1. MATERIAL :
 - 1-1. HOUSING : NYLON UL94V-0 ; COLOR : BLACK
 - 1-2. CONTACT : PHOSPHOR BRONZE
 - 1-3. MAIN BODY : NYLON 66
 - 1-4. SHELL(BOTTOM) : BRASS
 - 1-5. SHELL(TOP) : BRASS
 - 1-6. SR : PVC ; COLOR : BLACK.
2. FINISH :
 - 2-1. CONTACT : GOLD FLASH PLATING
 - 2-2. SHELL(BOTTOM): NICKEL PLATED
 - 2-3. SHELL(TOP) : NICKEL PLATED
3. ELECTRICAL SPECIFICATION :
 - 3-1. Rated current : 3A
 - 3-2. Rated voltage : 60V
4. Environmental :
 - 3-1. OPERATION TEMPERATURE : -20°C~85°C

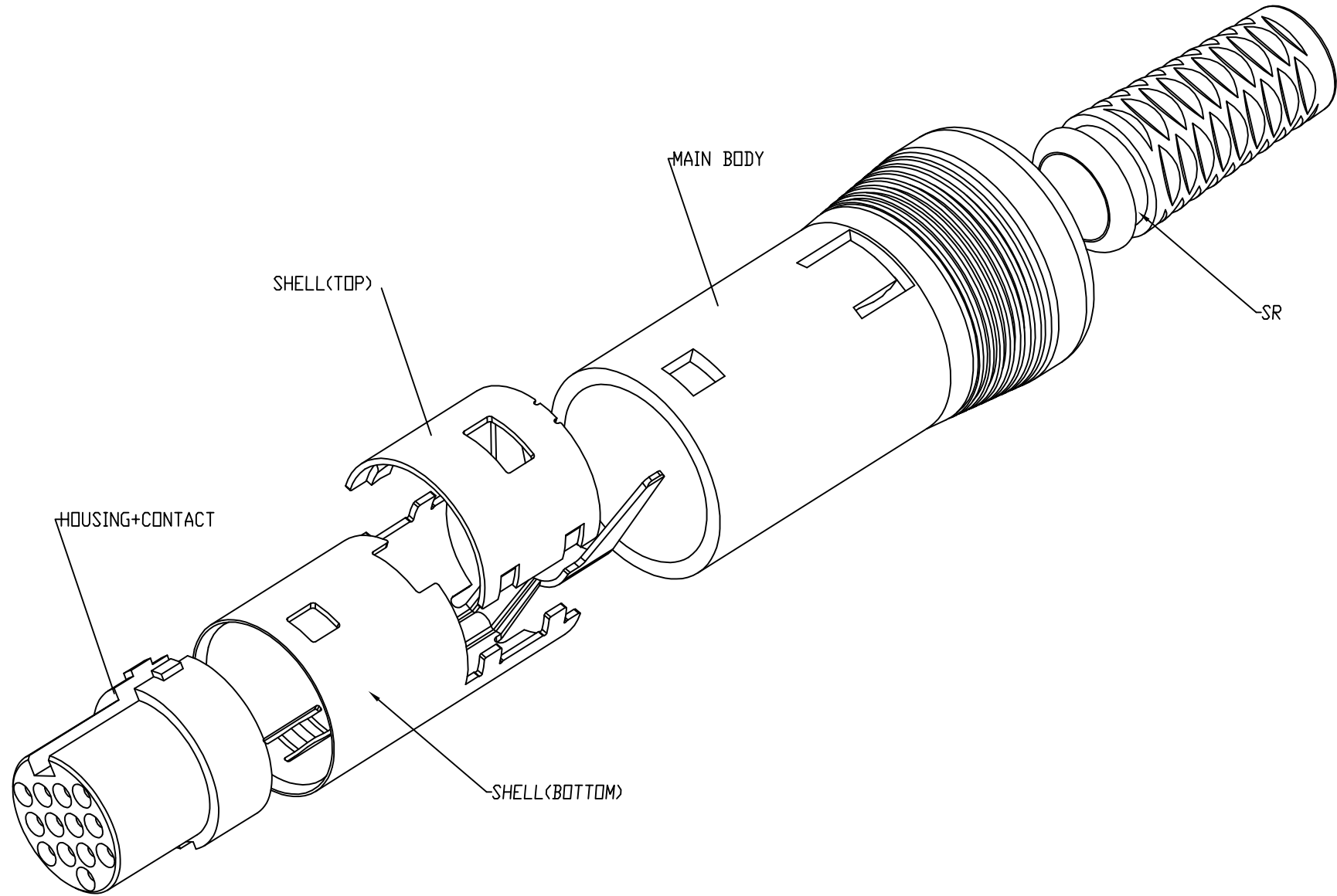
DRAWN	LED	APP'D	Ku Chou	UNIT	mm	TOLERANCE		TITLE	DIN 13(F)Lock 鎖式			SHEET
CHK'D	Emily Suen			SCALE	1:1	.x ±0.20 .xx ±0.10 .xxx ±0.05 .xxxx ±0.03 ANGULA ±1°		PART NO.	DI-13F2-04	DWG NO.	QC2754	 VERSION A

NIAN YEONG ENTERPRISE
年永實業有限公司

This document is the property of Nian-Yeong Corporation and is delivered on the express condition that it is not to be disclosed, reproduced or used, in whole or in part, for manufacture or sale by anyone other than Nian-Yeong Corporation without its prior consent, and that no right is granted to disclose or to use any information in this document.

CUSTOMER DRAWING

REV.	DESCRIPTION	APPROVED BY	DATE	ECN NO.
A	RELEASE	Emily Suen	22/12/08*	
B				
C				



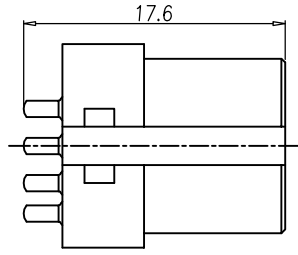
DRAWN	LED	APP'D	Ku Chou	UNIT	mm	TOLERANCE		TITLE	DIN 13(F)Lock 鑰匙			SHEET
CHK'D	Emily Suen			SCALE	1:1	.x ±0.20 .xx ±0.10 .xxx ±0.05 .xxxx ±0.03 ANGULA ±1°		PART NO.	DI-13F2-04	DWG NO.	QC2754	2/3 VERSION A

NIAN YEONG ENTERPRISE
 年永實業有限公司

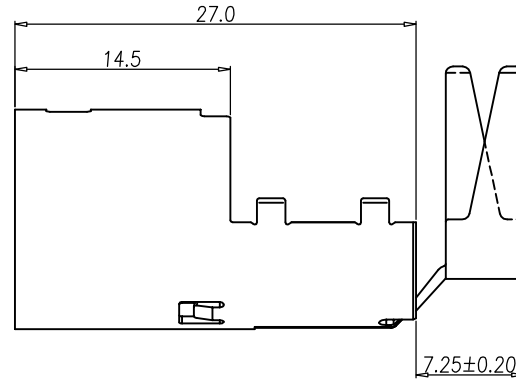
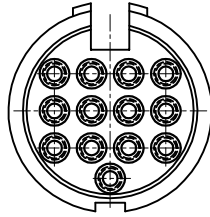
This document is the property of Nian-Yeong Corporation and is delivered on the express condition that it is not to be disclosed, reproduced or used, in whole or in part, for manufacture or sale by anyone other than Nian-Yeong Corporation without its prior consent, and that no right is granted to disclose or to use any information in this document.

CUSTOMER DRAWING

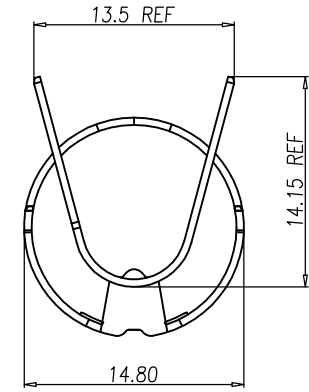
REV.	DESCRIPTION	APPROVED BY	DATE	ECN NO.
A	RELEASE	Fido Weng	22/12/08*	
B				
C				
D				



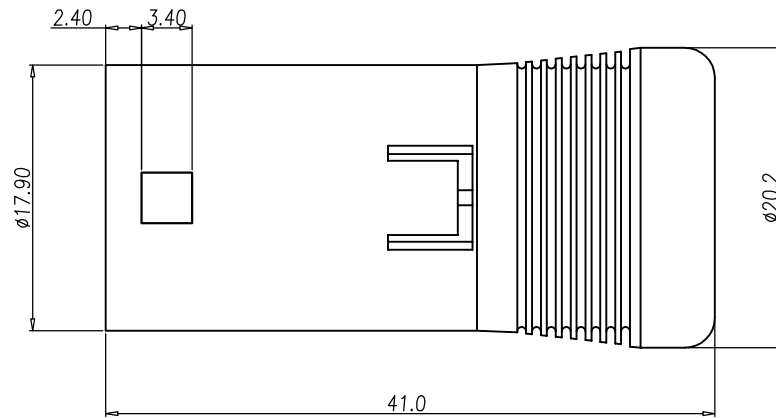
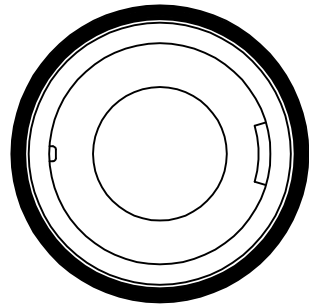
DIN (F) 插頭樣式



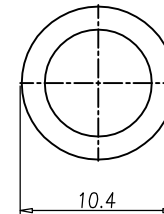
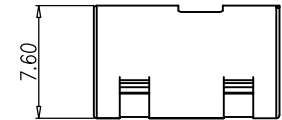
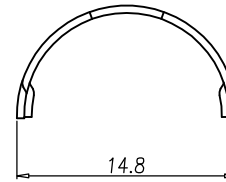
OY-DM0652



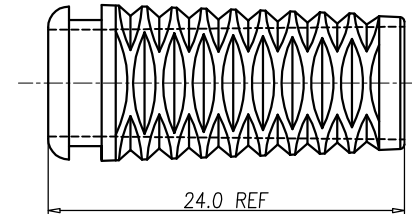
OY-DM0653



ON-DM0394



ON-DM0023



DRAWN	LED	APPVL	Ku Chou	UNIT	mm	TOLERANCE	 NIAN YEONG ENTERPRISE 年永實業有限公司	TITLE	DIN 13(F) Lock 插頭樣式			SHEET	3
CHK'D	Emily Suen			SCALE	1:1	.x ±0.20 .xx ±0.10 .xxx ±0.05 .xxxx ±0.03 ANGULA ±1°		PART NO.	DI-13F2-04	DWG NO.	QC2754	VERSION	A