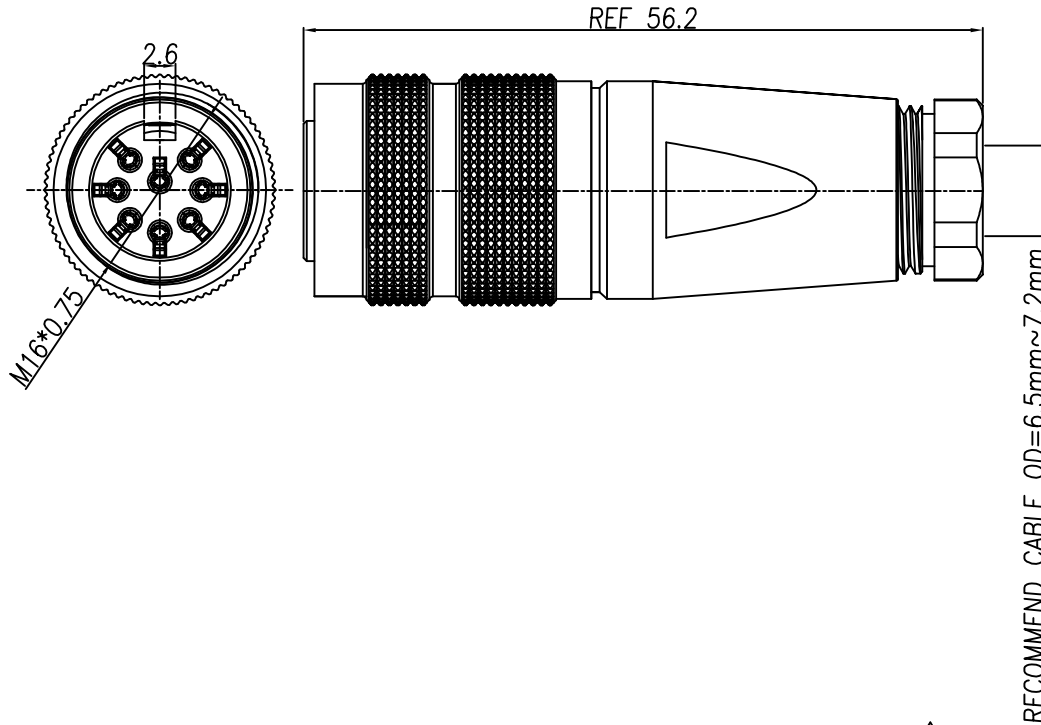


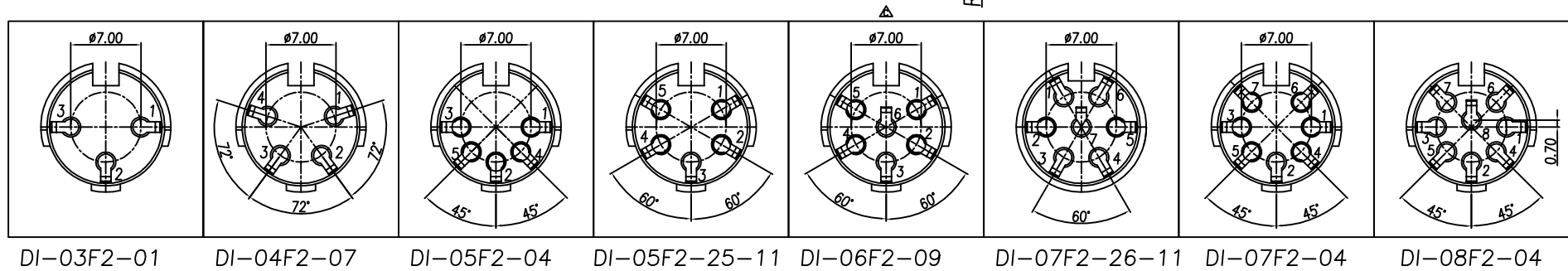
This document is the property of Nian-Yeong Corporation and is delivered on the express condition that it is not to be disclosed, reproduced or used, in whole or in part, for manufacture or sale by anyone other than Nian-Yeong Corporation without its prior consent, and that no right is granted to disclose or to use any information in this document.

CUSTOMER DRAWING

REV.	DESCRIPTION	APPROVED BY	DATE	ECN NO.
A	RELEASE	Emily Suen	23/08/12*	
B	額定電流	Ku	26/06/18*	
C	標記位置	LED	21/01/19*	ECN-19002



- MATERIAL :
  - HOUSING : NYLON UL94V-0 ; COLOR : BLACK
  - CONTACT : PHOSPHOR BRONZE
  - MAIN BODY : ZINC ALLOY
  - LOCK SHELL : BRASS
  - SPRING : STAINLESS
  - ISOLATION : PVC
  - CLAMPS : ZINC ALLOY
  - CLAMPS BODY : ZINC ALLOY
  - SCREW : SPCC
  - BACK BODY : BRASS
  - O-RING 1 : SILICONE ; COLOR : RED
  - GLAND : SILICONE COLOR : BLACK
  - GLAND CAGE : POM ; COLOR : WHITE
  - GLAND NUT : ALUMINUM ALLOY
  - O-RING 2 : SILICONE ; COLOR : BLACK
- FINISH :
  - CONTACT : CONTACT AREA : GOLD FLASH PLATING  
SOLDER AREA : TIN  
UNDER PLATE : NICKEL
  - MAIN BODY : NICKEL PLATED
  - LOCK SHELL : NICKEL PLATED
  - CLAMPS : NICKEL PLATED
  - CLAMPS BODY : NICKEL PLATED
  - SCREW : NICKEL PLATED
  - BACK BODY : NICKEL PLATED
  - GLAND NUT : SATING NICKEL PLATED
- ELECTRICAL SPECIFICATION :
  - Rated current : 5A
  - Rated Voltage : 250V
  - Water proof : IP67
- Environmental :
  - Operation Temperature : -20℃~85℃



DRAWN	Mark Kao	APP'D	Ku Chou	UNIT	mm	TOLERANCE			TITLE	WP M16 DIN (F) Assembly type			SHEET
CHK'D	Emily Suen			SCALE	1:1	.x ±0.20 .xx ±0.10 .xxx ±0.05 .xxxx ±0.03 ANGULA ±1°			PART NO.	SEE TABLE A	DWG NO.	QC5932	VERSION
												1/3	
												C	

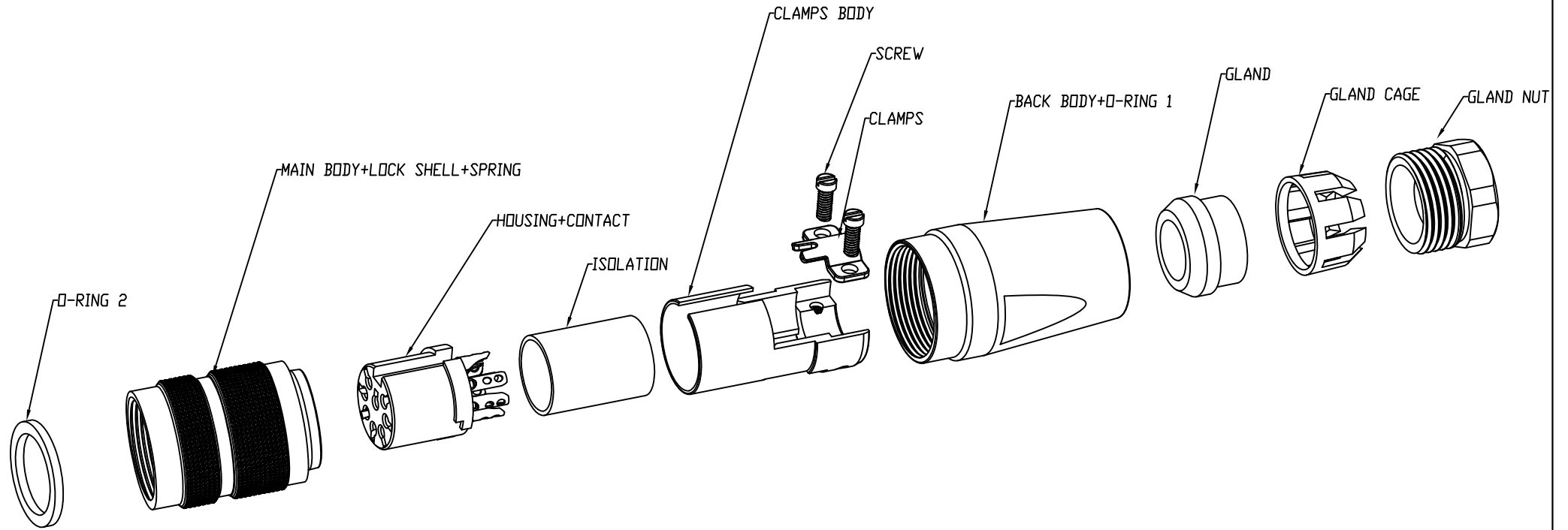
NIAN YEONG ENTERPRISE  
年永實業有限公司

This document is the property of Nian-Yeong Corporation and is delivered on the express condition that it is not to be disclosed, reproduced or used, in whole or in part, for manufacture or sale by anyone other than Nian-Yeong Corporation without its prior consent, and that no right is granted to disclose or to use any information in this document.

CUSTOMER DRAWING

REV.	DESCRIPTION	APPROVED BY	DATE	ECN NO.
A	RELEASE	Emily Suen	23/08/12'	
B				
C				

ASSEMBLY INSTRUCTION



DRAWN	Mark Kao	APP'D	Ku Chou	UNIT	mm	TOLERANCE		TITLE	WP DIN (F) Assembly type			SHEET
CHK'D	Emily Suen			SCALE	1:1	.x ±0.20 .xx ±0.10 .xxx ±0.05 .xxxx ±0.03 ANGULA ±1°		PART NO.	SEE TABLE A	DWG NO.	QC5932	
								NIAN YEONG ENTERPRISE 年永實業有限公司				VERSION A

