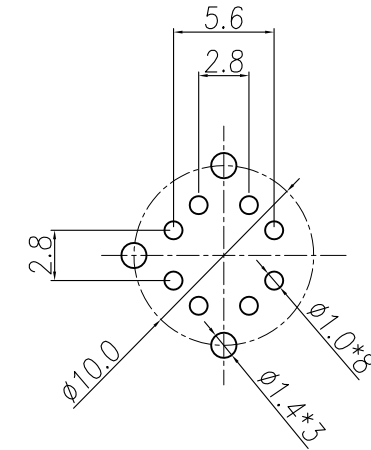
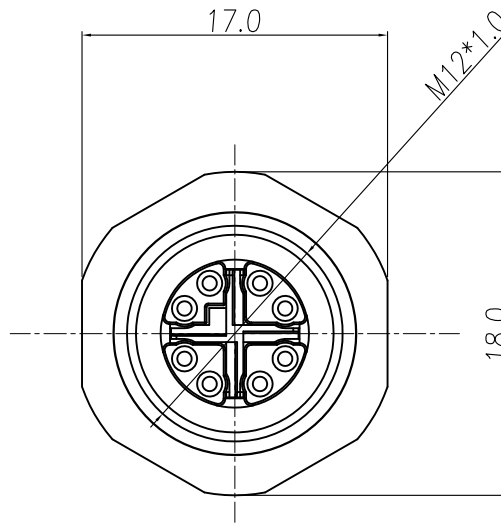
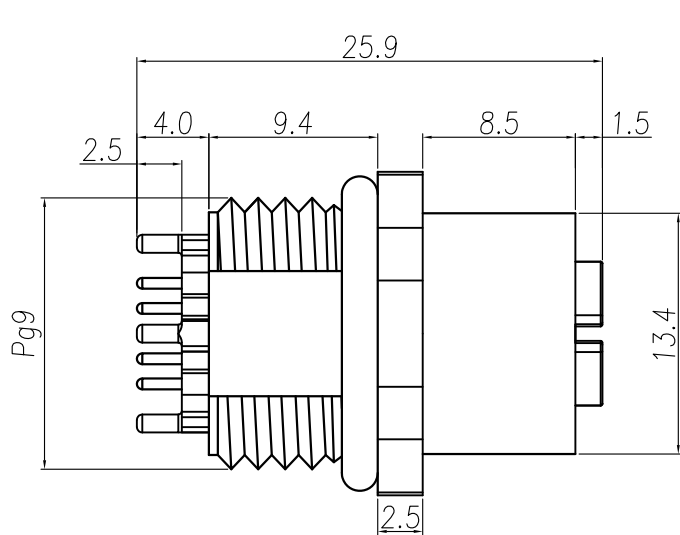


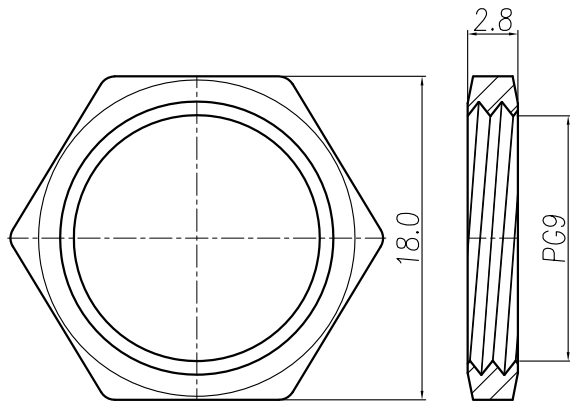
This document is the property of Nian-Yeong Corporation and is delivered on the express condition that it is not to be disclosed, reproduced or used, in whole or in part, for manufacture or sale by anyone other than Nian-Yeong Corporation without its prior consent, and that no right is granted to disclose or to use any information in this document.

# CUSTOMER DRAWING

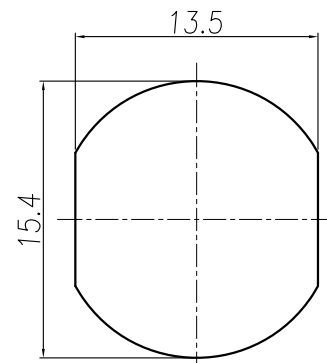
REV.	DESCRIPTION	APPROVED BY	DATE	ECN NO.
A	RELEASE	Fido Weng	04/12/14*	
B				
C				



RECOMMEND P.C.B LAYOUT



NUT



RECOMMEND PANEL CUT-OUT

- MATERIAL :
  - HOUSING : PA UL94V-0 ; COLOR : BLACK
  - CONTACT : BRASS
  - NUT : BRASS
  - SHELL : BRASS
  - O-RING : EPDM
  - X-SHELL : Zn ALLOY
- FINISH :
  - CONTACT : 10 MICRO INCHES MIN. GOLD PLATED  
UNDER PLATE : NICKEL
  - NUT : NICKEL PLATED
  - SHELL : NICKEL PLATED
  - X-SHELL : NICKEL PLATED
- ELECTRICAL SPECIFICATION :
  - Rated current : 0.5A
  - Rated Voltage : 48V
  - Water proof: IPX7
- Environmental :
  - Operation Temperature : -40°C~85°C

DRAWN	Ku Chou	APPEND	Fido Weng	UNIT	mm	TOLERANCE		<b>NIAN YEONG ENTERPRISE</b> 年永實業有限公司	TITLE	防水 M12 8PIN X-Code (F) 鍍金Pg9 DIP式(無鎖精)			SHEET	 1 A					
CHKED	Emily Suen			SCALE	1:1	.x			±0.20	.xx	±0.10	.xxx	±0.05		.xxxx	±0.03	ANGULA	±1°	PART NO.