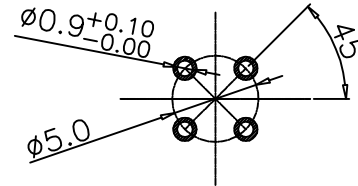
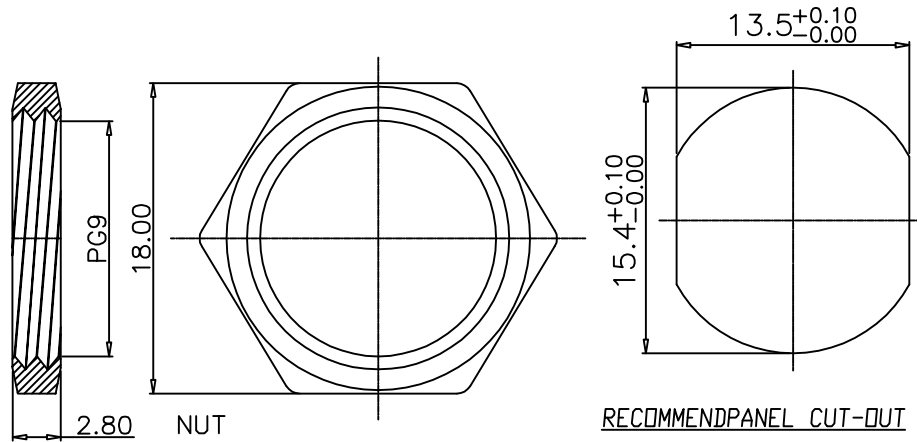
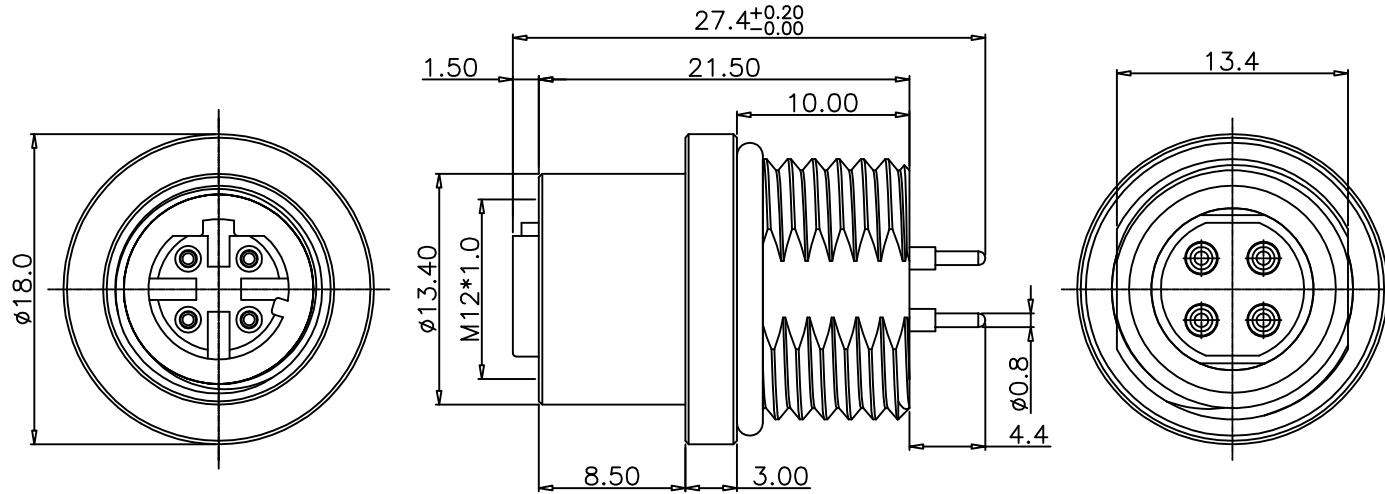


This document is the property of Nian-Yeong Corporation and is delivered on the express condition that it is not to be disclosed, reproduced or used, in whole or in part, for manufacture or sale by anyone other than Nian-Yeong Corporation without its prior consent, and that no right is granted to disclose or to use any information in this document.

CUSTOMER DRAWING

REV.	DESCRIPTION	APPROVED BY	DATE	ECN NO.
A	RELEASE	James	09/01/15'	
B				
C				



RECOMMEND P.C.B LAYOUT

- MATERIAL :
  - 1-1. HOUSING : PBT UL94V-0 ; COLOR : BLACK
  - 1-2. CONTACT : BRASS
  - 1-3. SHELL : BRASS
  - 1-4. NUT : BRASS
  - 1-5. O-RING : EPDM ; COLOR : BLACK.
- FINISH :
  - 2-1. CONTACT : GOLD FLASH.
  - UNDER PLATE : NICKEL
  - 2-2. SHELL : NICKEL PLATED.
  - 2-2. NUT : NICKEL PLATED.
- ELECTRICAL SPECIFICATION :
  - 3-1. Rated current : 4A
  - 3-2. Rated Voltage : 250V
  - 3-3. Water proof : IP67
- Environmental :
  - 4-1. Operation Temperature : -40℃~85℃

DRAWN	James	APP'D	Ku	UNIT	mm	TOLERANCE	.x ±0.20 .xx ±0.10 .xxx ±0.05 .xxxx ±0.03 ANGULA ±1°	TITLE	WP M12 4pin (F) D-Code 板端後鎖PG9插板式			SHEET	1/1
CHK'D	Ku	SCALE	1:1	ANGULA		REVISION		PART NO.	WP-04F2-129-11	DWG NO.	QC7152	VERSION	A
				<b>NIAN YEONG ENTERPRISE</b> 年永實業有限公司									