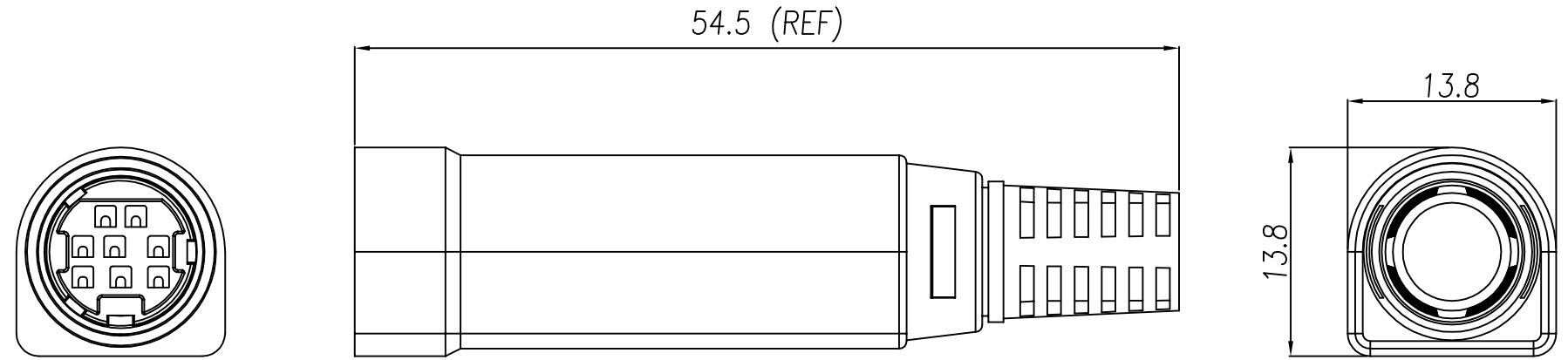


This document is the property of Nian-Yeong Corporation and is delivered on the express condition that it is not to be disclosed, reproduced or used, in whole or in part, for manufacture or sale by anyone other than Nian-Yeong Corporation without its prior consent, and that no right is granted to disclose or to use any information in this document.

CUSTOMER DRAWING

REV.	DESCRIPTION	APPVL. BY	DATE	ECN NO.
A	RELEASE	Yeh Chou	19/06/20"	
B				
C				
D				



1. MATERIAL :
  - 1-1. HOUSING : PBT UL94V-0 ; COLOR : BLACK
  - 1-2. SHELL : BRASS
  - 1-3. BODY : ABS
  - 1-4. SR : PVC
2. FINISH :
  - 2-1. SHELL : NICKEL PLATED.
3. ELETRICAL SPECICATION :
  - 3-1. RATING CURRENT : 1A
  - 3-2. RATING VOLTAGE : 30V DC
4. ENVIRONMENTAL :
  - 4-1. OPERATION TEMPERATURE : -20℃~85℃

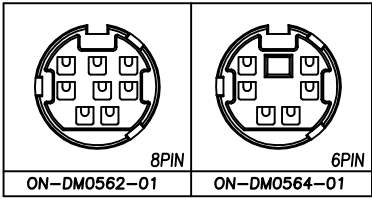
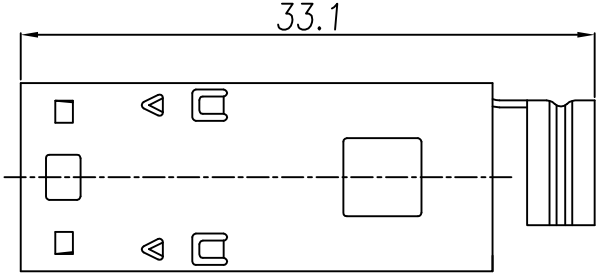
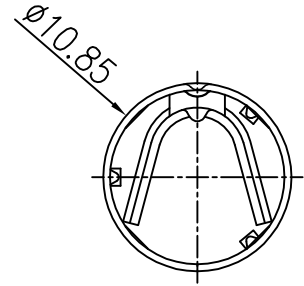
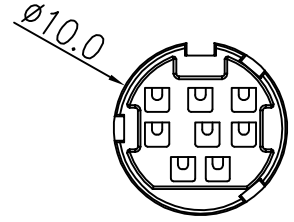
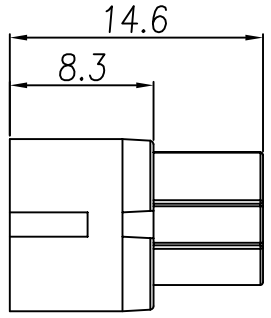
TABLE A

8PIN	6PIN
PD-08F2-06-01	PD-06F2-07-01

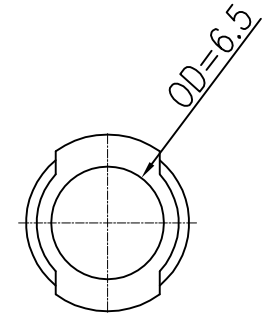
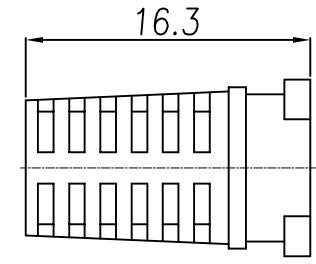
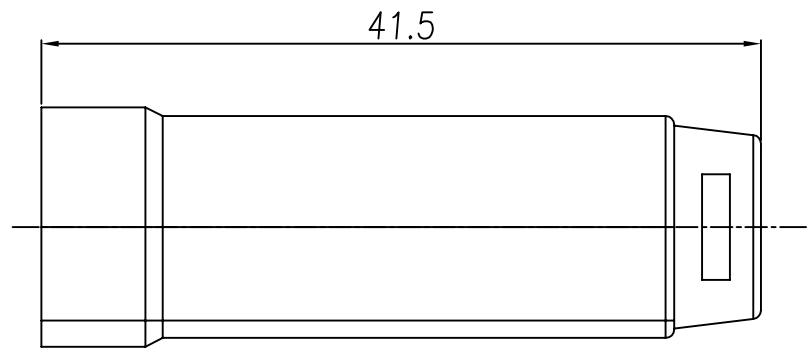
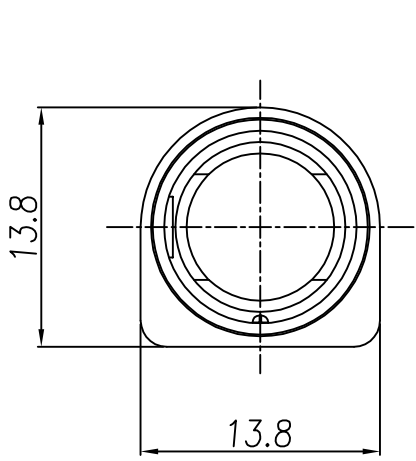
This document is the property of Nian-Yeong Corporation and is delivered on the express condition that it is not to be disclosed, reproduced or used, in whole or in part, for manufacture or sale by anyone other than Nian-Yeong Corporation without its prior consent, and that no right is granted to disclose or to use any information in this document.

CUSTOMER DRAWING

REV.	DESCRIPTION	APPL. BY	DATE	ECN NO.
A	Release	Fideo Weng	19/06/20"	
B				
C				
D				



OY-DM0810-00



ON-DM0531-01

ON-DM0018

DRAW	Ku Chou	APPVL	Emily Suen	UNIT	mm	TOLERANCE				TITLE	POWER DIN (F) 線型式 OD6.5(CRIMP TYPE)			SHEET	2
CHECK	Emily Suen			SCALE	1:1	.x ±0.20 .xx ±0.10 .xxx ±0.05 .xxxx ±0.01 ANGULA ±1°				PART NO.	PD-08F2-06-01	DWG NO.	QC9800	VERSION	A

NIAN YEONG ENTERPRISE  
年永實業有限公司