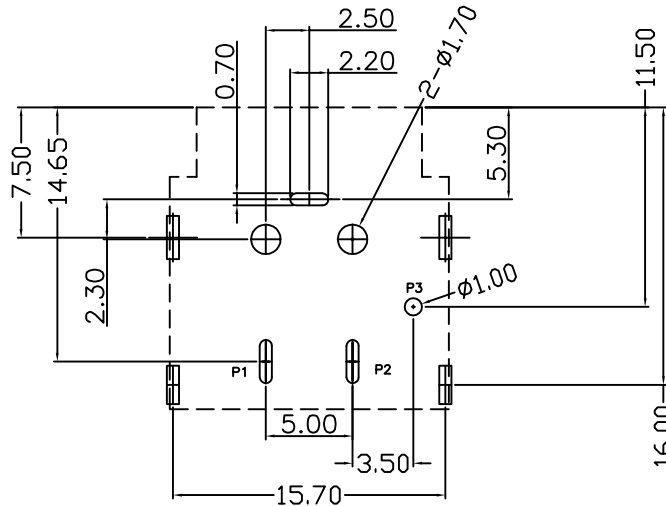
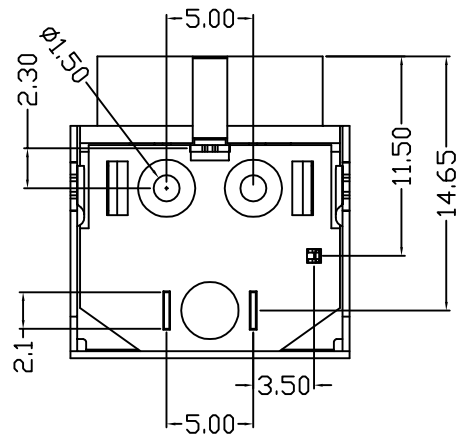
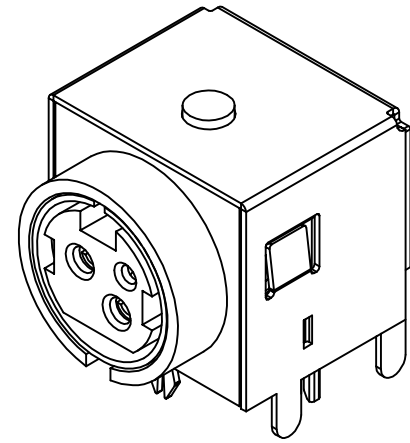
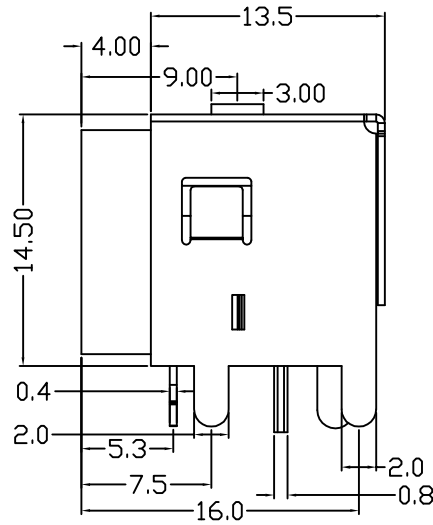
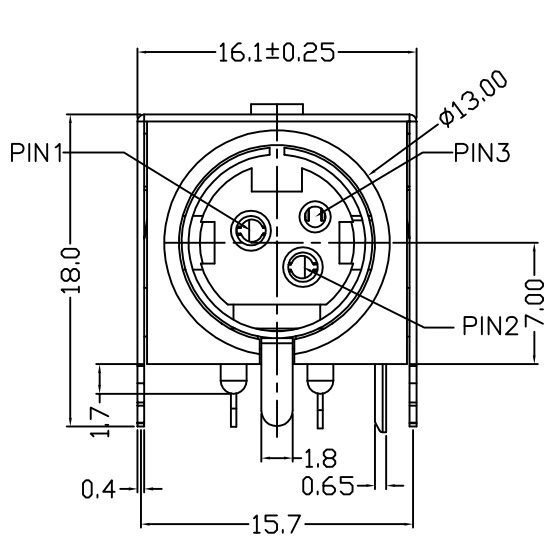


This document is the property of Nian-Yeong Corporation and is delivered on the express condition that it is not to be disclosed, reproduced or used, in whole or in part, for manufacture or sale by anyone other than Nian-Yeong Corporation without its prior consent, and that no right is granted to disclose or to use any information in this document.

CUSTOMER DRAWING

| REV. | DESCRIPTION | APPVL. BY  | DATE      | ECN NO. |
|------|-------------|------------|-----------|---------|
| A    | RELEASE     | Emily Suen | 09/03/12* |         |
| B    |             |            |           |         |
| C    |             |            |           |         |



Recommend P.C.B Layout  
(BOTTOM VIEW)

- MATERIAL :
  - 1-1. HOUSING : PBT
  - 1-2. CONTACT : PHOSPHOR BRONZE
  - 1-3. GROUND : BRASS
  - 1-4. SHELL : SPCC
- FINISH :
  - 2-1. CONTACT : SILVER PLATING
  - 2-2. GROUND : NICKEL PLATED OVER ALL
  - 2-3. SHELL : TIN PLATED OVER ALL
- ELECTRICAL SPECIFICATION :
  - 3-1. RATED CURRENT FOR 3P : PIN1&2 7.5A  
PIN3 1A
  - RATED CURRENT FOR 4P : 7.5A FOR ALL PIN
  - 3-2. RATED VOLTAGE : 20V DC
  - 3-3. CONTACT RESISTANCE : 30mΩ
  - 3-4. INSULATION RESISTANCE : 50MΩ Min. at 250V DC
  - 3-5. DIELECTRIC STRENGTH : 250V AC / 1 minute
  - 3-6. INSERTION FORCE : 45N max.
  - 3-7. WITHDRAWAL FORCE : 9N TO 30N
  - 3-8. DURABILITY TEST : 1000 Cycles
- ENVIRONMENTAL :
  - 4-1. OPERATION TEMPERATURE : -20 °C ~ 85°C

|       |            |       |         |       |     |  |  |                                   |          |                                      |         |        |         |   |
|-------|------------|-------|---------|-------|-----|--|--|-----------------------------------|----------|--------------------------------------|---------|--------|---------|---|
| DRAW  | Mark Kao   | APPVL | Ku Chou | UNIT  | mm  | TOLERANCE  |  | NIAN YEONG ENTERPRISE<br>年永實業有限公司 | TITLE    | PowerDin 3(F) 3P 3.0mm DIP 加裝殼 (PBT) |         |        | SHEET   | 1 |
| CHECK | Emily Suen |       |         | SCALE | 1:1 | .x ±0.20<br>.xx ±0.10<br>.xxx ±0.05<br>.xxxx ±0.01<br>ANGULA ±1° |  |                                   | PART NO. | PD-03F3-02-01                        | DWG NO. | QC9487 | VERSION | A |