

This document is the property of Nian-Yeong Corporation and is delivered on the express condition that it is not to be disclosed, reproduced or used, in whole or in part, for manufacture or sale by anyone other than Nian-Yeong Corporation without its prior consent, and that no right is granted to disclose or to use any information in this document.

CUSTOMER DRAWING

| REV. | DESCRIPTION | APPROVED BY | DATE      | ECN NO. |
|------|-------------|-------------|-----------|---------|
| A    | RELEASE     | Fido Weng   | 10/01/11* |         |
| B    |             |             |           |         |
| C    |             |             |           |         |

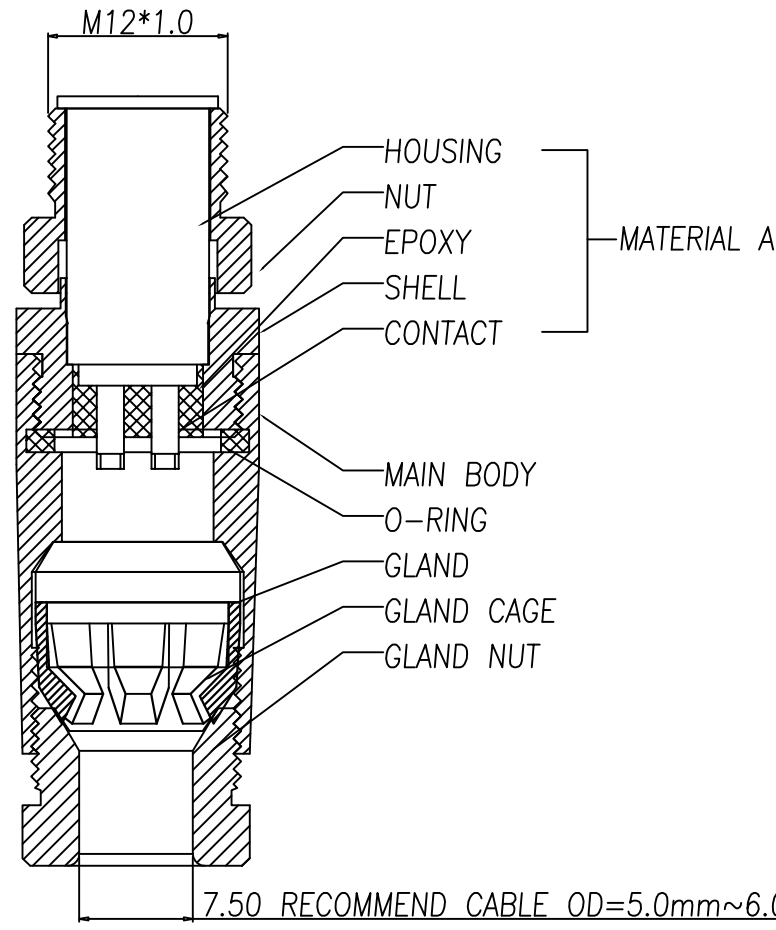
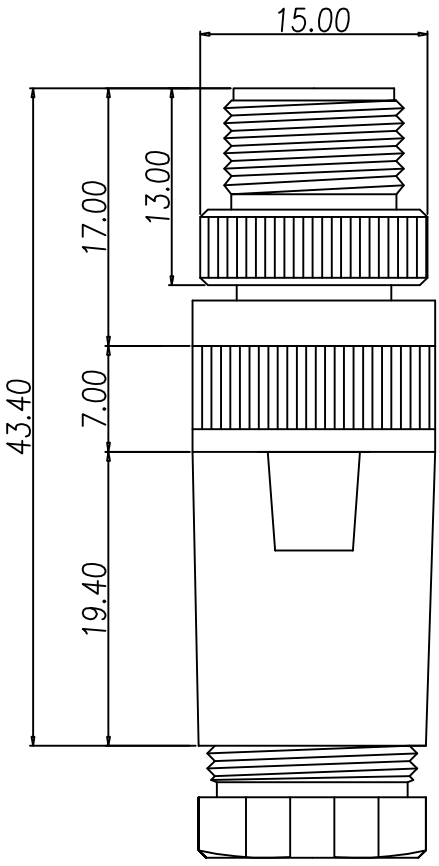
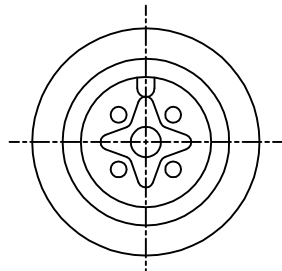


TABLE A

| Diagram | 5PIN                         | 4PIN                           | 3PIN                           |           |
|---------|------------------------------|--------------------------------|--------------------------------|-----------|
|         | WP-05M2-68<br>WP-05M2-102-11 | WP-04M2-53<br>WP-04M2-122-11   | WP-03M2-52-11<br>WP-03M2-79-11 |           |
|         |                              | 3PIN                           | 2PIN                           |           |
|         |                              | WP-03M2-53-11<br>WP-03M2-78-11 | WP-02M2-76-11<br>WP-02M2-77-11 |           |
|         | WP-02M2-76-11                | GOLD FLASH                     | WP-02M2-77-11                  | GOLD 10u" |
|         | WP-03M2-53-11                | GOLD FLASH                     | WP-03M2-79-11                  | GOLD 10u" |
|         | WP-03M2-52-11                | GOLD FLASH                     | WP-03M2-78-11                  | GOLD 10u" |
|         | WP-04M2-53                   | GOLD FLASH                     | WP-04M2-122-11                 | GOLD 10u" |
|         | WP-05M2-68                   | GOLD FLASH                     | WP-05M2-102-11                 | GOLD 10u" |
|         | PART NO                      | FINISH                         | PART NO                        | FINISH    |

- MATERIAL :
  - MATERIAL A :
    - HOUSING : PBT UL94V-0 ; COLOR : BLACK.
    - CONTACT : BRASS
    - NUT : ALUMINIUM ALLOY
    - SHELL : ALUMINIUM ALLOY
  - MAIN BODY : ALUMINIUM ALLOY
  - GLAND : SILICONE ; COLOR : BLACK.
  - GLAND CAGE : POM ; COLOR : BLACK.
  - GLAND NUT : ALUMINIUM ALLOY
  - O-RING : SILICONE ; COLOR : BLACK.
- FINISH :
  - MATERIAL A :
    - CONTACT : SEE TABLE A
    - NUT : SATIN NICKEL PLATED.
    - SHELL : SATIN NICKEL PLATED.
  - MAIN BODY : SATIN NICKEL PLATED.
  - GLAND NUT : SATIN NICKEL PLATED.
- ELECTRICAL SPECIFICATION :
  - Rated current : 4A
  - Rated voltage : 2~4PIN 250V ; 5PIN 60V
  - Water proof : IP67/68
- Environmental :
  - Operation Temperature : -20°C~85°C

|       |            |       |            |       |     |  |  |                                   |          |                               |         |        |             |
|-------|------------|-------|------------|-------|-----|--|--|-----------------------------------|----------|-------------------------------|---------|--------|-------------|
| DRAWN | Ku Chou    | APP'D | Emily Suen | UNIT  | mm  | TOLERANCE  |  |                                   | TITLE    | M12 (M) A-coded Assembly type |         |        | SHEET       |
| CHK'D | Emily Suen |       |            | SCALE | 1:1 | .x ±0.20<br>.xx ±0.10<br>.xxx ±0.05<br>.xxxx ±0.03<br>ANGULA ±1° |  |                                   | PART NO. | SEE TABLE A                   | DWG NO. | QC5206 | 1<br>1<br>A |
|       |            |       |            |       |     |  |  | NIAN YEONG ENTERPRISE<br>年永實業有限公司 |          |                               |         |        | VERSION     |
|       |            |       |            |       |     |  |  |                                   |          |                               |         |        | A           |