

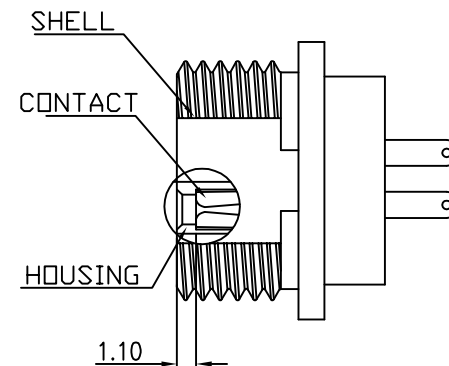
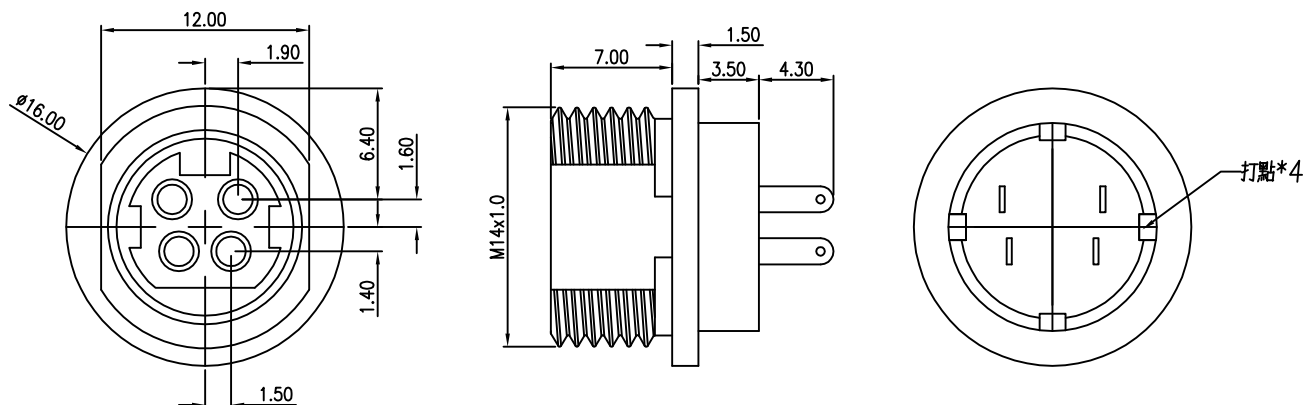
This document is the property of Nian-Yeong Corporation and is delivered on the express condition that it is not to be disclosed, reproduced or used, in whole or in part, for manufacture or sale by anyone other than Nian-Yeong Corporation without its prior consent, and that no right is granted to disclose or to use any information in this document.

CUSTOMER DRAWING

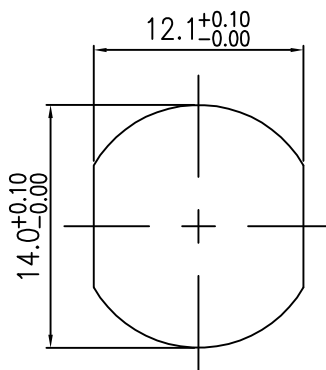
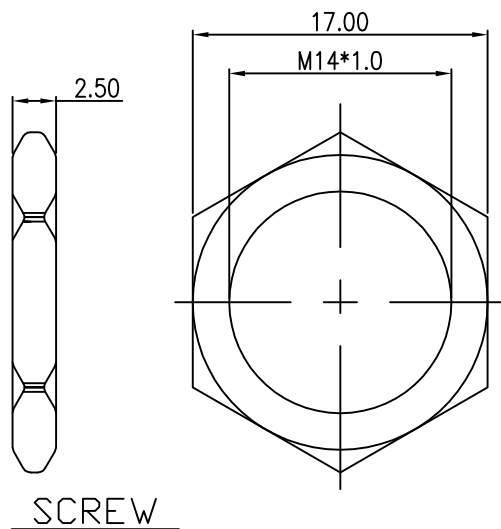
REV.	DESCRIPTION	APPL. BY	DATE	ECN NO.
A	RELEASE	Fido Weng		
B				
C				

TABLE A

<p>3PIN</p>	<p>4PIN</p>
PD-03F2-13-11	PD-04F2-17-11



- MATERIAL :
 - 1-1. HOUSING : PBT UL94V-0 ; COLOR : BLACK
 - 1-2. CONTACT : PHOSPHOR BRONZE
 - 1-3. SHELL : BRASS
 - 1-4. SCREW : BRASS
- FINISH :
 - 2-1. CONTACT : TIN PLATING OVER NICKEL
 - 2-2. SHELL : NICKEL PLATED 60u" ~ 100u" OVER ALL
 - 2-3. SCREW : NICKEL PLATED 60u" ~ 100u" OVER ALL
- ELECTRICAL SPECIFICATION :
 - 3-1. RATED CURRENT : 3PIN 7.5A&1A(PIN3) ; 4PIN 7.5A
 - 3-2. RATED VOLTAGE : 20V/DC MAX
- ENVIRONMENTAL :
 - 4-1. OPERATION TEMPERATURE : -20 °C~85°C



RECOMMEND PANEL CUT-OUT

DRAW	KU	APPVL	Emily Suen	UNIT	mm	TOLERANCE		<p>NIAN YEONG ENTERPRISE 年永實業有限公司</p>	TITLE	POWER DIN (F) 板端前鎖			SHEET
CHECK	Emily Suen			SCALE	1:1	.x ±0.20 .xx ±0.10 .xxx ±0.05 .xxxx ±0.01 ANGULA ±1'			PART NO.	SEE TABLE A	DWG NO.	QC6544	VERSION