

This document is the property of Nian-Yeong Corporation and is delivered on the express condition that it is not to be disclosed, reproduced or used, in whole or in part, for manufacture or sale by anyone other than Nian-Yeong Corporation without its prior consent, and that no right is granted to disclose or to use any information in this document.

CUSTOMER DRAWING

REV.	DESCRIPTION	APPROVED BY	DATE	ECN NO.
△	修改鍍金 U" 數	Yeh Chou	02/09/16'	
△	尺寸變更	Yeh Chou	22/09/16'	
△	新增料號	Yeh Chou	15/10/18'	
△	新增加工階	Yeh Chou	07/01/19'	

1. MATERIAL :

1-1. CONTACT A : BRASS

2. FINISH :

2-1. CONTACT A :SEE TABLE A/見表A

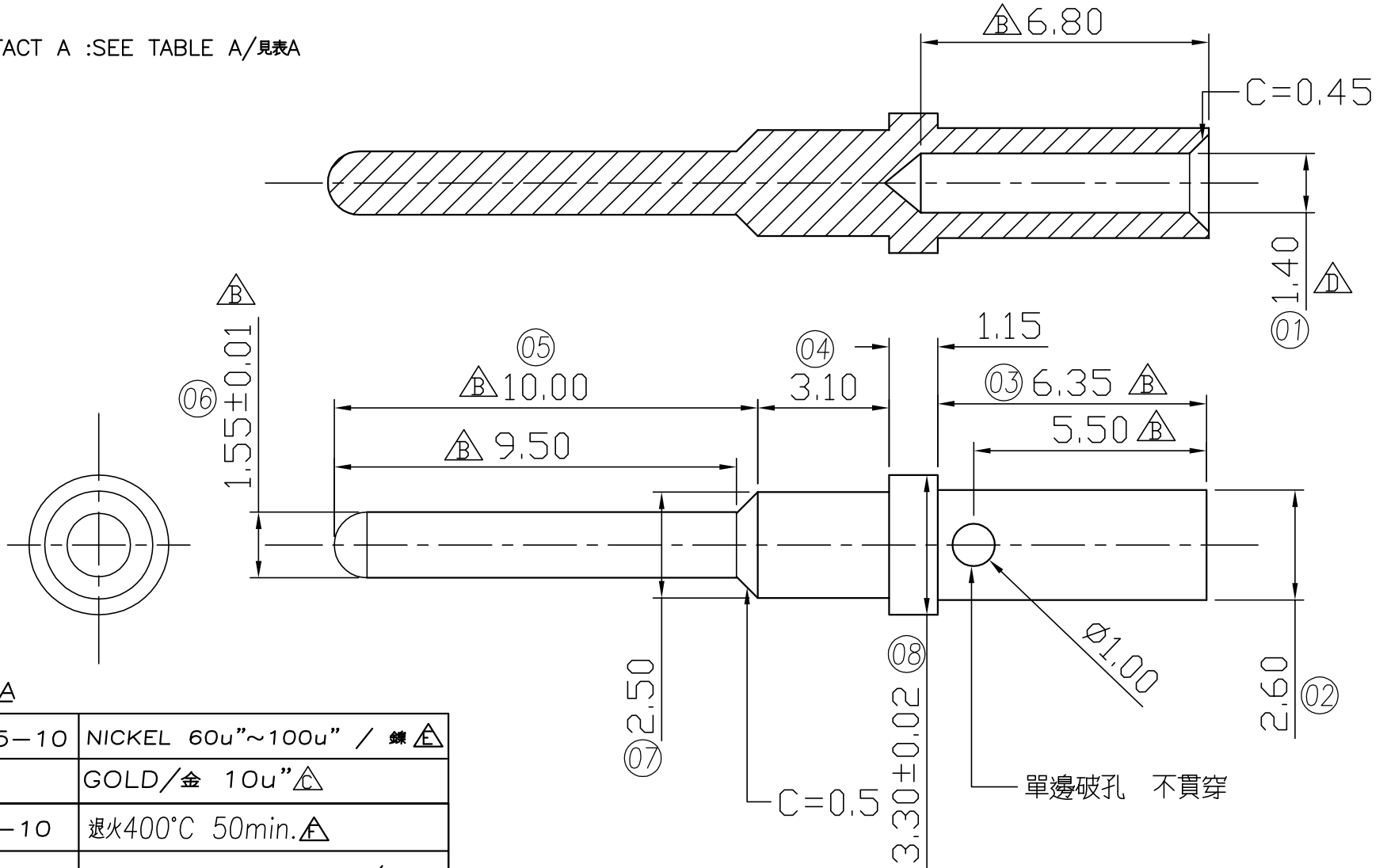


TABLE A/表A

OY-WP01245-10	NICKEL 60u"~100u" / 鍍 △
OY-WP0413	GOLD/金 10u" △
OY-WP4413-10	退火400°C 50min. △
OY-WP1413	SOURCE MATERIAL/素材

DRAWN	Yeh Chou	APPVL	UNIT	mm	TOLERANCE	TITLE		SHEET			
CHK'D			SCALE	1:1	.x ±0.20 .xx ±0.10 .xxx ±0.05 .xxxx ±0.03 ANGULA ±1°	防水平9PIN(M)端子(φ3.3*20.8)		1			
NIAN YEONG ENTERPRISE 年永實業有限公司						PART NO.	SEE TABLE A	DWG NO.	QC5154	VERSION	F