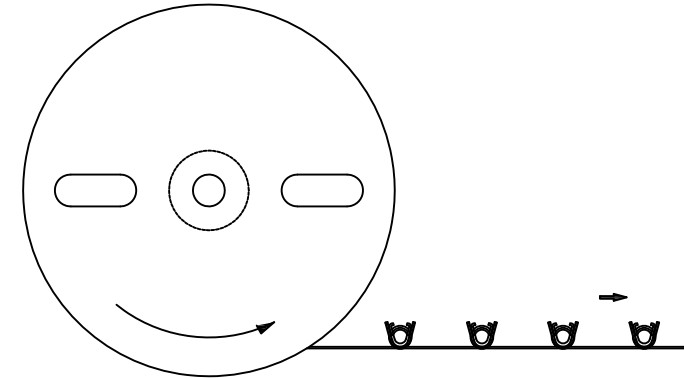
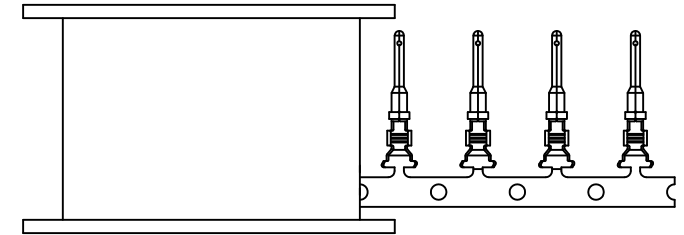
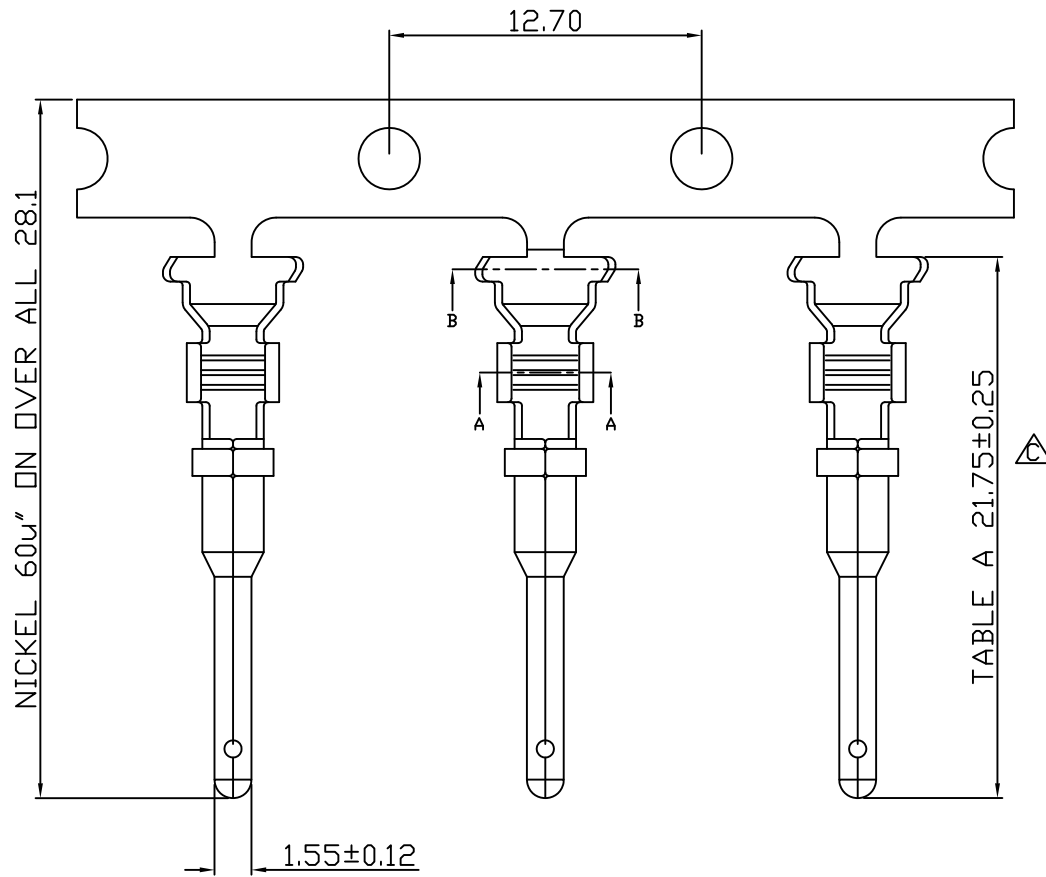


This document is the property of Nian-Yeong Corporation and is delivered on the express condition that it is not to be disclosed, reproduced or used, in whole or in part, for manufacture or sale by anyone other than Nian-Yeong Corporation without its prior consent, and that no right is granted to disclose or to use any information in this document.

CUSTOMER DRAWING

REV.	DESCRIPTION	APPROVED BY	DATE	ECN NO.
A	RELEASE	Fido Weng	22/12/08*	
B	新增料號	Fido Weng	05/06/13*	
C	修改標注/規格	Fido Weng	19/08/15*	

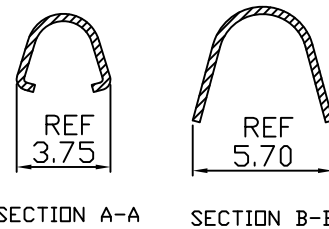
	DESCRIPTION
	有鉛銅(40000ppm以下)
✓	無(低)鉛銅(1000ppm以下)



PULL OUT DIRECTION

TABLE A

OY-WP0605	3.4	防水頭9PIN(M)端子(ø3.3*21.75)(Crimp PIN 短線夾)	MATTE TIN 80u"
OY-WP1605			SOURCE MATERIAL
OY-WP0626-00	4.6	防水頭9PIN(M)端子(ø3.3*21.75)(Crimp PIN)	GOLD FLASH
OY-WP0482			MATTE TIN 80u"
OY-WP1482			SOURCE MATERIAL
P/N	L	TITLE	FINISH



- MATERIAL :
 - CONTACT : RED BRASS
- FINISH :
 - CONTACT : SEE TABLE A
 - UNDERPLATED : NICKEL 60u" ON OVER ALL

DRAWN	Yeh	APPEND	Fido Weng	UNIT	mm	TOLERANCE			TITLE	SEE TABLE A			SHEET
CHOKED	Emily Suen			SCALE	1:1	.x ±0.20 .xx ±0.10 .xxx ±0.05 .xxxx ±0.03 ANGULA ±1°				PART NO.	SEE TABLE A	DWG NO.	QC5430
												C	