

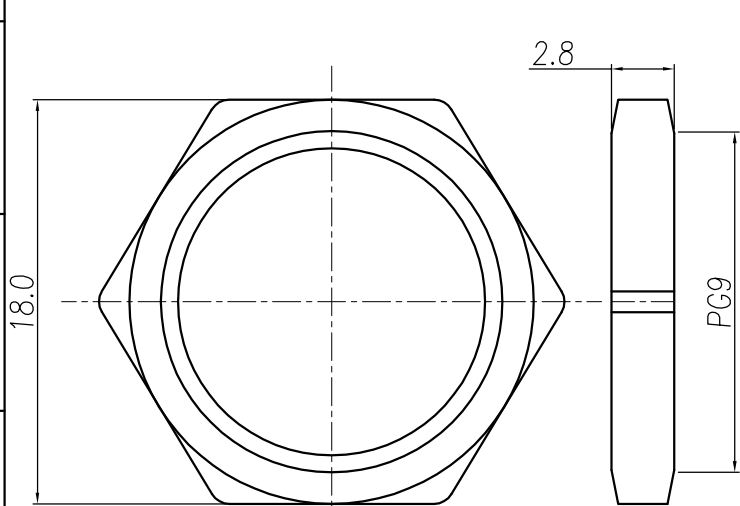
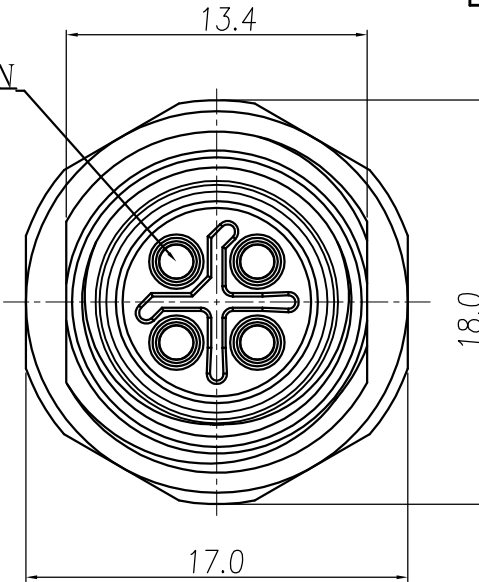
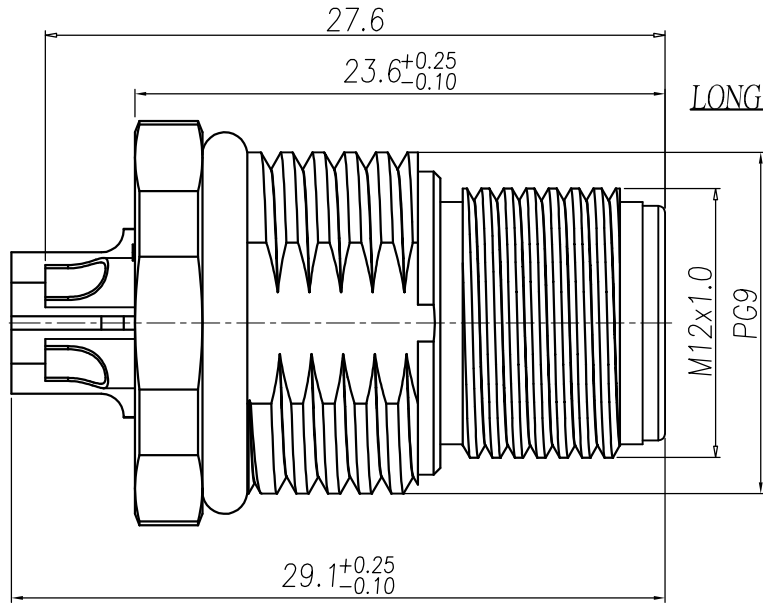
This document is the property of Nian-Yeong Corporation and is delivered on the express condition that it is not to be disclosed, reproduced or used, in whole or in part, for manufacture or sale by anyone other than Nian-Yeong Corporation without its prior consent, and that no right is granted to disclose or to use any information in this document.

CUSTOMER DRAWING

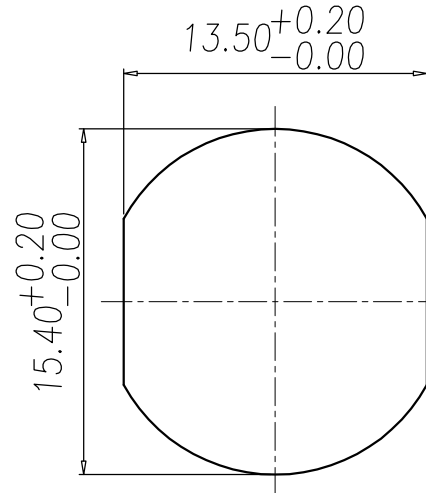
REV.	DESCRIPTION	APPROVED BY	DATE	ECN NO.
A	RELEASE	Ku Chou	17/03/20*	
B				
C				

Table A

WP-04M2-205-11	WP-03M2-118-11



NUT



PANEL CUT-OUT

- MATERIAL :
  - HOUSING : PA66 UL94V-0 ; COLOR : BLACK
  - CONTACT : BRASS
  - SHELL : BRASS
  - O-RING : EPDM
  - NUT : BRASS
- FINISH :
  - CONTACT : 10u" MIN. GOLD PLATED  
UNDER PLATE : NICKEL
  - SHELL : NICKEL PLATED
  - NUT : NICKEL PLATED
- ELECTRICAL SPECIFICATION :
  - Rated current : 12A
  - Rated Voltage : 630V
  - Water proof: IP67/68
- Environmental :
  - Operation Temperature : -40°C~105°C

DRAWN	Emily Suen	APP'D	Ku Chou	UNIT	mm	TOLERANCE		TITLE	M12 S-CODING (M) 前鎖板(PG9) 焊線式			SHEET	
CHK'D	Ku Chou	SCALE	1:1	.x	±0.20	NIAN YEONG ENTERPRISE 年永實業有限公司		PART NO.	SEE TABLE A	DWG NO.	QC9610	VERSION	