

This document is the property of Nian-Yeong Corporation and is delivered on the express condition that it is not to be disclosed, reproduced or used, in whole or in part, for manufacture or sale by anyone other than Nian-Yeong Corporation without its prior consent, and that no right is granted to disclose or to use any information in this document.

CUSTOMER DRAWING

REV.	DESCRIPTION	APPROVED BY	DATE	ECN NO.
A	RELEASE	Yeh Chou		
B	修改标注	Fido Weng	16/08/16*	
C	修改鍍金 U" 數	Fido Weng	02/09/16*	
D	ADD TABLE A	Fido Weng	25/05/18*	

- 1. MATERIAL :
 - 1-1. CONTACT : BRASS
 - 1-2. SHELL : STAINLESS STEEL
- 2. FINISH :
 - 2-1. CONTACT : SEE TABLE A

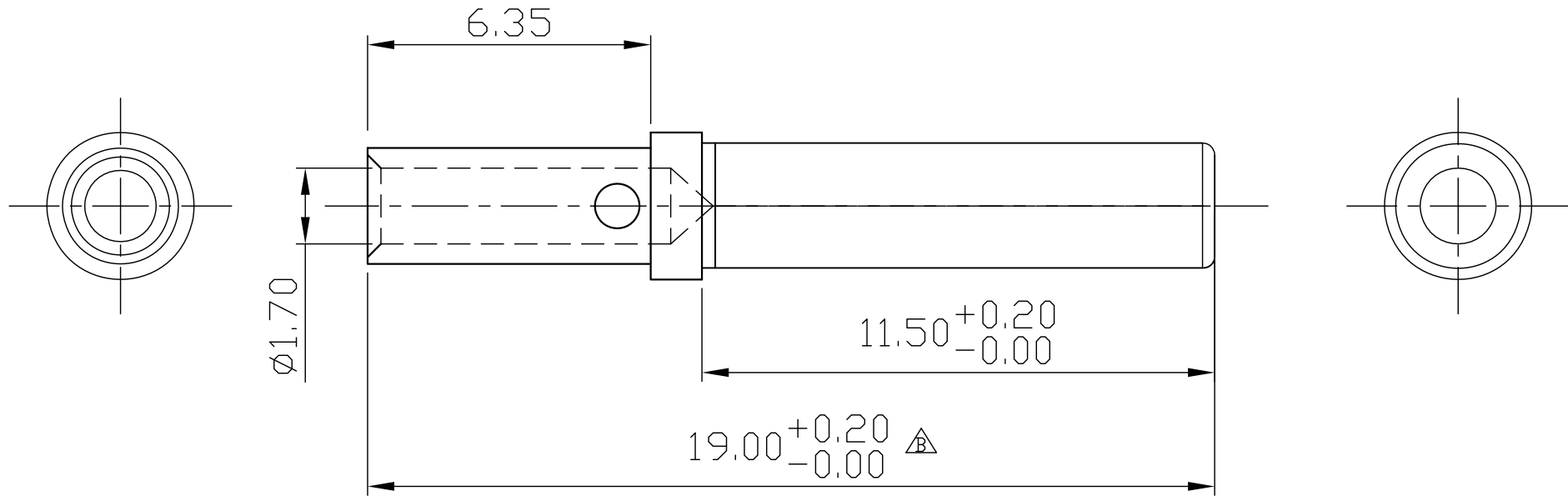


TABLE A

NY-WP1042-11	NICKEL PLATED/鍍鎳
NY-WP323	10u" GOLD PLATED/鍍金10u"
PART NO	FINISH

DRAWN	Yeh Chou	APP'D	Ku Chou	UNIT	mm	TOLERANCE		TITLE	防水頭9PIN(F)端子半成品			SHEET		
CHK'D	Yeh Chou			SCALE	1:1	.x ±0.20 .xx ±0.10 .xxx ±0.05 .xxxx ±0.03 ANGULA ±1°			NIAN YEONG ENTERPRISE 年永實業有限公司	PART NO.	SEE TABLE A	DWG NO.	QC5151	VERSION D