

This document is the property of Nian-Yeong Corporation and is delivered on the express condition that it is not to be disclosed, reproduced or used, in whole or in part, for manufacture or sale by anyone other than Nian-Yeong Corporation without its prior consent, and that no right is granted to disclose or to use any information in this document.

CUSTOMER DRAWING

REV.	DESCRIPTION	APPROVED BY	DATE	ECN NO.
A	RELEASE	Ku Chou	25/06/18*	
B				
C				

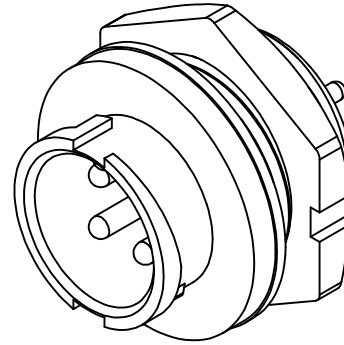
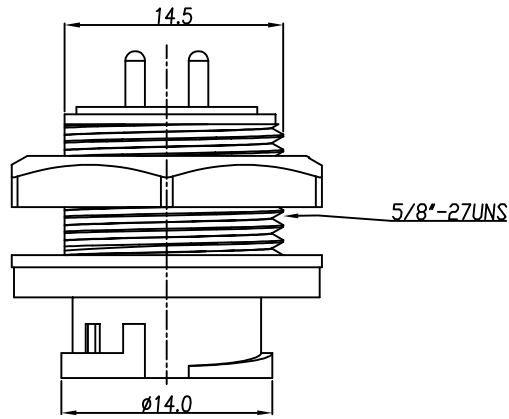
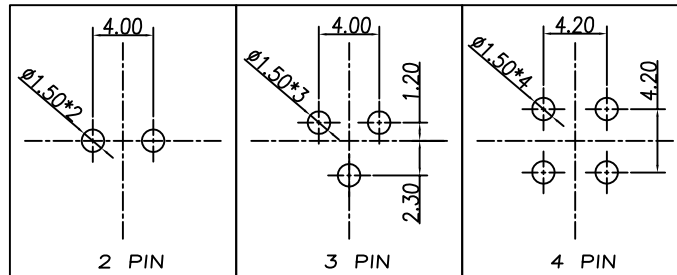
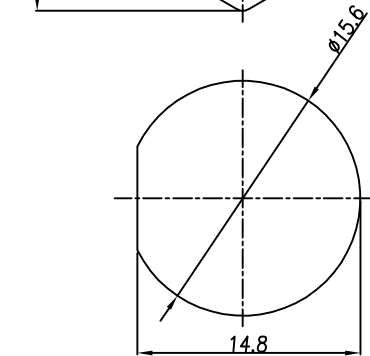
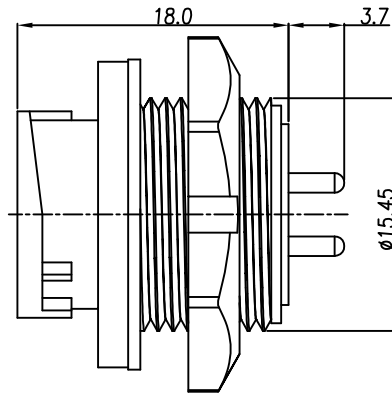
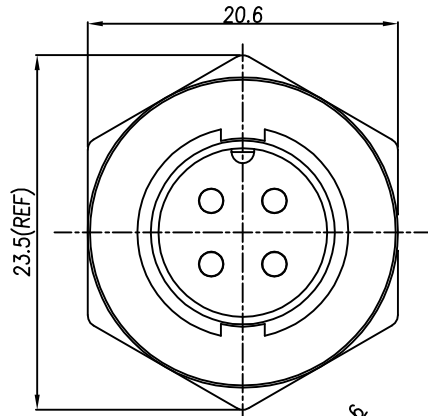


TABLE A

2 PIN	3 PIN	4 PIN
WP-03M3-03-11		

PIN ASSIGMENTS
FRONT VIEW



PCB LAYOUT

- MATERIAL :
 - HOUSING : PA66
 - CONTACT : BRASS
 - GASKET : SILICONE
 - HEX NUT : PA66
- FINISH :
 - CONTACT : GOLD FLASH PLATED.
- ELECTRICAL SPECIFICATION :
 - Rated current : 10A
 - Rated voltage : 250V
 - Water proof : IP67
- Environmental :
 - Operation Temperature : -40°C~105°C

RECOMMENDED PANEL CUT-OUT

DRAWN	Emily Suen	APP'D	Ku Chou	UNIT	mm	TOLERANCE			TITLE	WP (M) (LOCK) B SIZE 後鎖DIP式			SHEET
CHK'D	Ku Chou	SCALE	1:1	.x	±0.20	.xx			±0.10	PART NO.	SEE TABLE A	DWG NO.	QC8437
						.xxx	±0.05						A
						.xxxx	±0.03						
						ANGULA	±1°						

NIAN YEONG ENTERPRISE
年永實業有限公司