

This document is the property of Nian-Yeong Corporation and is delivered on the express condition that it is not to be disclosed, reproduced or used, in whole or in part, for manufacture or sale by anyone other than Nian-Yeong Corporation without its prior consent, and that no right is granted to disclose or to use any information in this document.

CUSTOMER DRAWING

| REV. | DESCRIPTION   | APPROVED BY | DATE      | ECN NO. |
|------|---------------|-------------|-----------|---------|
| A    | RELEASE       | Ku Chou     | 05/09/19* |         |
| B    | CHANGE DESIGN | Ku Chou     | 03/01/20* |         |
| C    | CHANGE DIM.   | Ku Chou     | 17/03/20* |         |

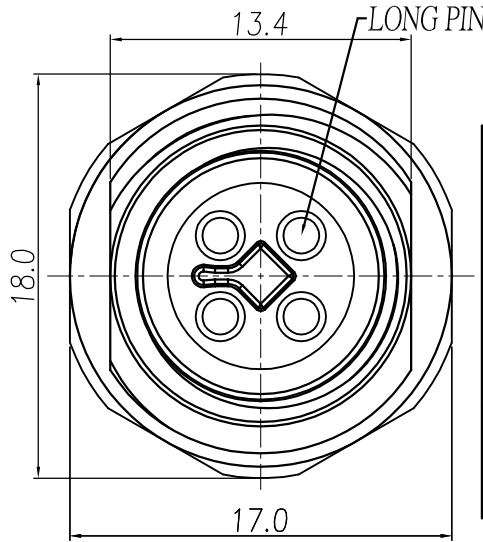
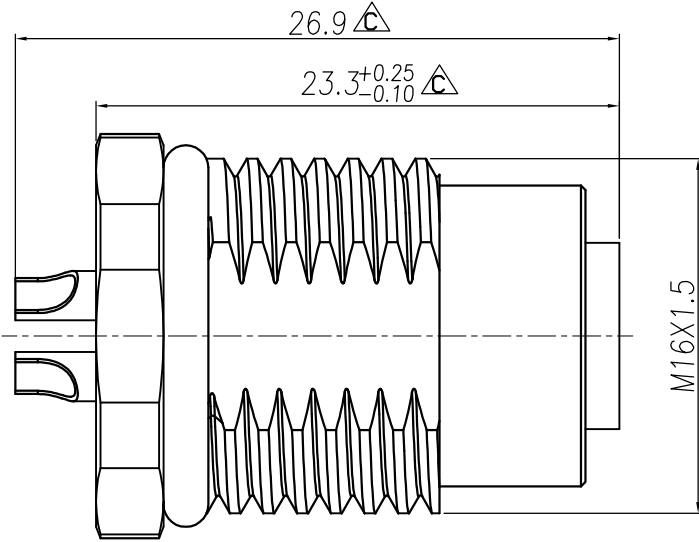
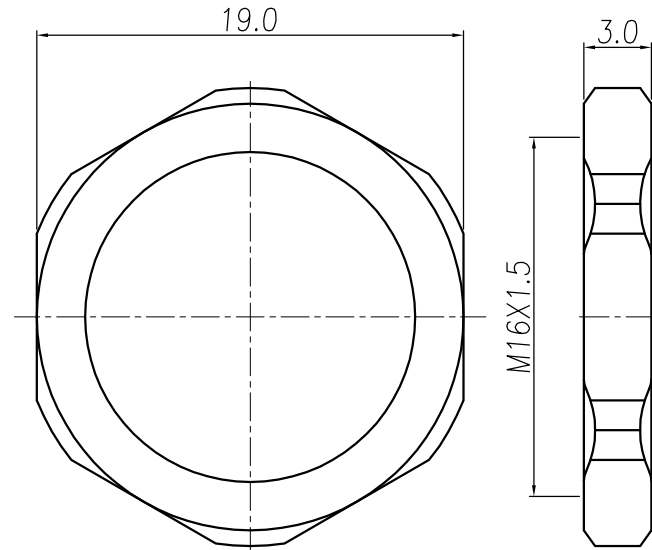


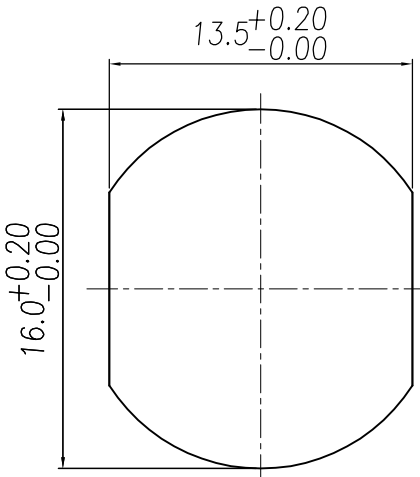
Table A

|                |                |               |
|----------------|----------------|---------------|
|                |                |               |
| WP-04F2-253-11 | WP-03F2-141-11 | WP-02F2-81-11 |

- MATERIAL :
  - HOUSING : PA66 UL94V-0 ; COLOR : BLACK
  - CONTACT : BRASS
  - SHELL : BRASS
  - O-RING : EPDM
  - NUT : BRASS
- FINISH :
  - CONTACT : 10u" MIN. GOLD PLATED  
UNDER PLATE : NICKEL
  - SHELL : NICKEL PLATED
  - NUT : NICKEL PLATED
- ELECTRICAL SPECIFICATION :
  - Rated current : 12A
  - Rated Voltage : 63V
  - Water proof: IP67/68
- Environmental :
  - Operation Temperature : -40°C~105°C



NUT



PANEL CUT-OUT

|       |            |       |         |         |     |  |  |          |                                   |         |        |         |  |
|-------|------------|-------|---------|---------|-----|--|--|----------|-----------------------------------|---------|--------|---------|--|
| DRAWN | Emily Suen | APP'D | Ku Chou | UNIT    | mm  | TOLERANCE  |  | TITLE    | M12 T-CODING (F) 前鑄板(M16X1.5) 焊線式 |         |        | SHEET   |  |
| CHK'D | Ku Chou    | SCALE | 1:1     | ANGULAR | ±1° | .x ±0.20<br>.xx ±0.10<br>.xxx ±0.05<br>.xxxx ±0.03 |  | PART NO. | SEE TABLE A                       | DWG NO. | QC9511 | VERSION |  |

NIAN YEONG ENTERPRISE  
年永實業有限公司