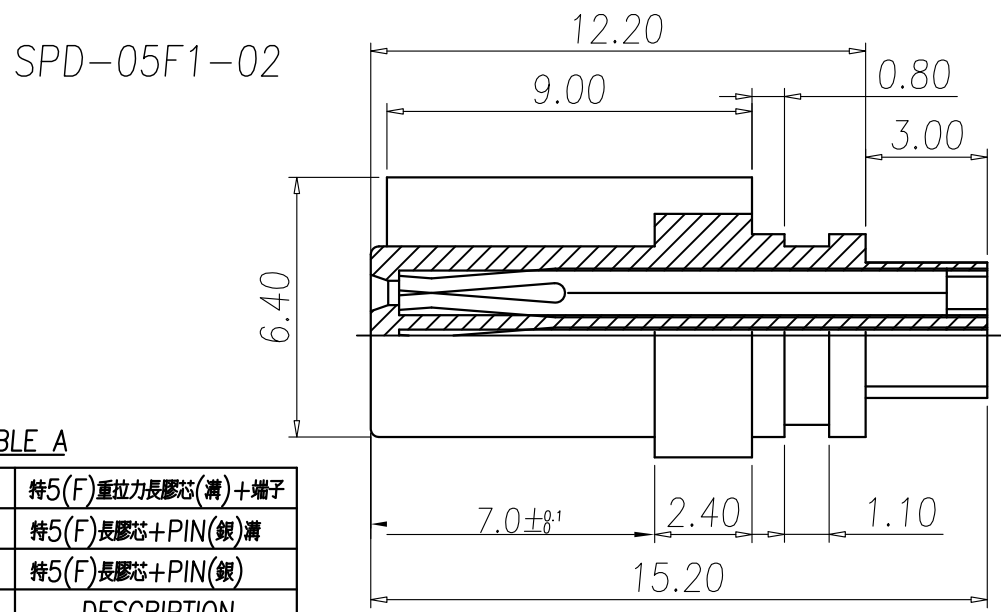
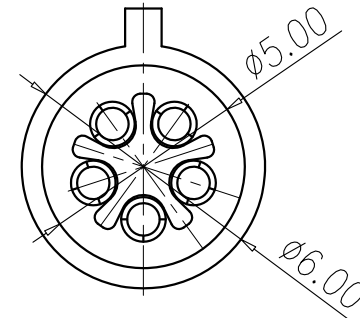
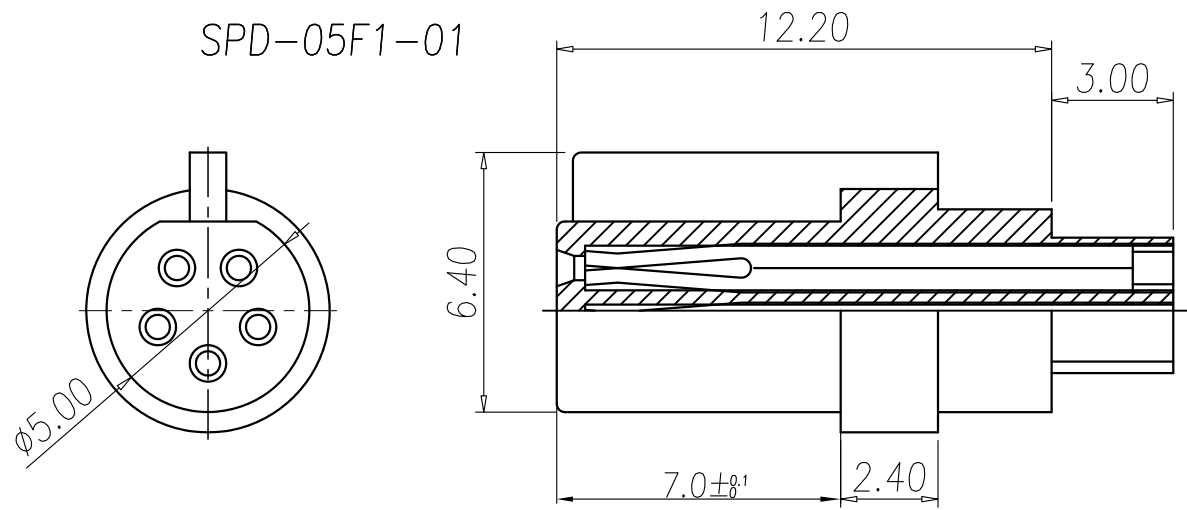


This document is the property of Nian-Yeong Corporation and is delivered on the express condition that it is not to be disclosed, reproduced or used, in whole or in part, for manufacture or sale by anyone other than Nian-Yeong Corporation without its prior consent, and that no right is granted to disclose or to use any information in this document.

CUSTOMER DRAWING

REV.	DESCRIPTION	APPROVED BY	DATE	ECN NO.
A	RELEASE	Fido Weng	17/01/12'	
B				
C				



- MATERIAL :
  - 1-1. HOUSING : PBT UL94V-0 ; COLOR : BLACK
  - 1-2. CONTACT : PHOSPHOR BRONZE.
- FINISH :
  - 2-1. CONTACT : SILVE PLATED.

TABLE A

P/N	DESCRIPTION
SPD-05F1-03	特5(F)重拉力長膠芯(溝)+端子
SPD-05F1-02	特5(F)長膠芯+PIN(銀)溝
SPD-05F1-01	特5(F)長膠芯+PIN(銀)

DRAWN	Mark Kao	APP'D	Ku Chou	UNIT	mm	TOLERANCE			TITLE	特5PIN (F) 長膠芯+PIN(銀) 系列			SHEET	
CHK'D	Emily Suen	SCALE	1:1	ANGULA	±1°	.x ±0.20 .xx ±0.10 .xxx ±0.05 .xxxx ±0.03			PART NO.	SRR TABLE A	DWG NO.	QC0032	VERSION	

NIAN YEONG ENTERPRISE  
年永實業有限公司