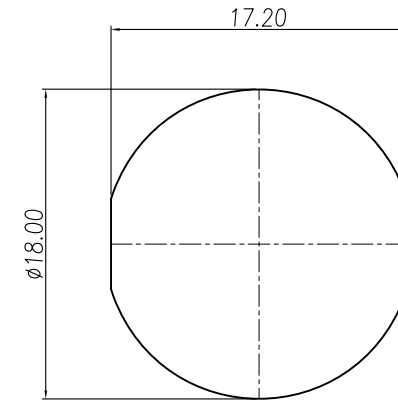
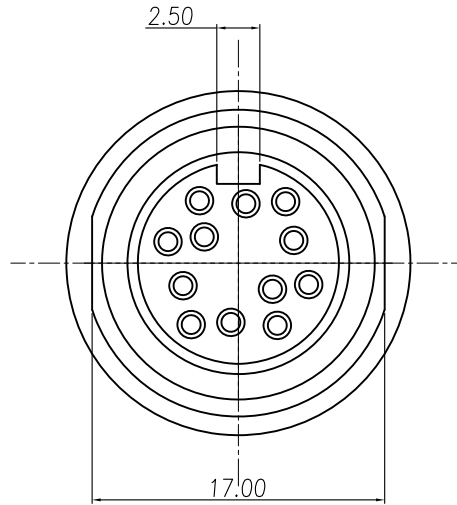
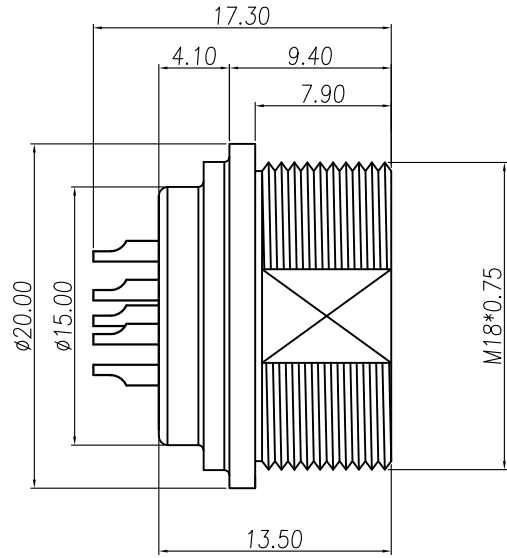


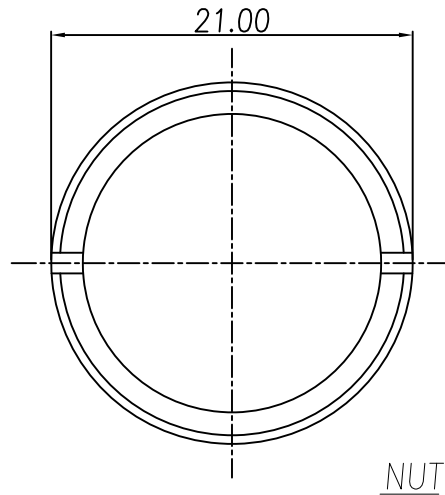
This document is the property of Nian-Yeong Corporation and is delivered on the express condition that it is not to be disclosed, reproduced or used, in whole or in part, for manufacture or sale by anyone other than Nian-Yeong Corporation without its prior consent, and that no right is granted to disclose or to use any information in this document.

CUSTOMER DRAWING

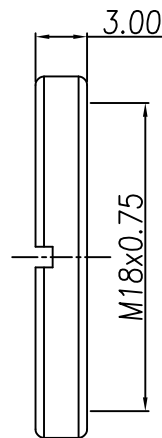
REV.	DESCRIPTION	APPROVED BY	DATE	ECN NO.
A				
B				
C				



RECOMMEND PANEL CUT-OUT



NUT



- MATERIAL :
  - HOUSING : PA66 ; COLOR : BLACK
  - CONTACT : BRASS
  - SHELL : BRASS
  - NUT : BRASS.
- FINISH :
  - CONTACT : GOLD FLASH PLATED
  - SHELL : NICKEL PLATED .
  - NUT : NICKEL PLATED .
- ELECTRICAL SPECIFICATION :
  - Rated current : 3A
  - Rated Voltage : 60V
- Environmental :
  - Operation Temperature : -40℃~85℃
- Protection Degree : IP40

DRAWN	LED	APP'D	Ku Chou	UNIT	mm	TOLERANCE	 <b>NIAN YEONG ENTERPRISE</b> 年永實業有限公司	TITLE	DIN 12 PIN (F) 前鎖焊線式(端子表金)			SHEET
CHK'D	Emily Suen			SCALE	1:1	.x ±0.20 .xx ±0.10 .xxx ±0.05 .xxxx ±0.03 ANGULA ±1°		PART NO.	DI-12F2-10-11	DWG NO.	QC8364	VERSION