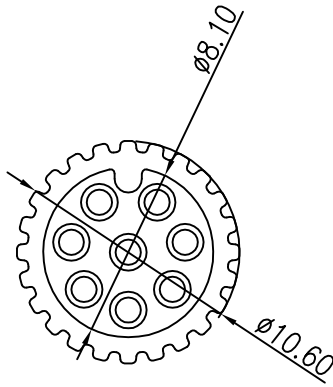


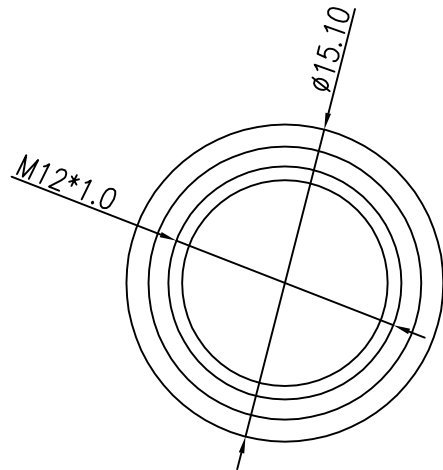
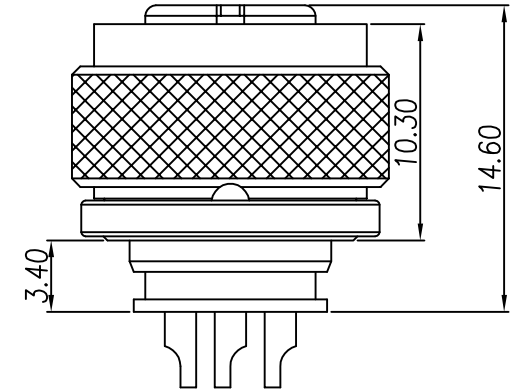
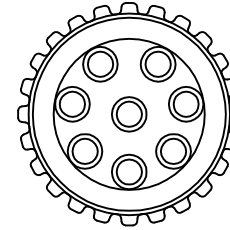
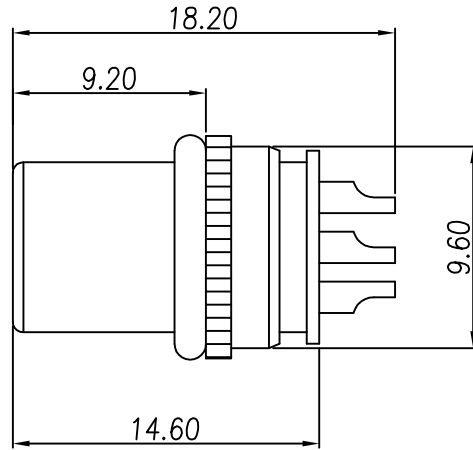
This document is the property of Nian-Yeong Corporation and is delivered on the express condition that it is not to be disclosed, reproduced or used, in whole or in part, for manufacture or sale by anyone other than Nian-Yeong Corporation without its prior consent, and that no right is granted to disclose or to use any information in this document.

CUSTOMER DRAWING

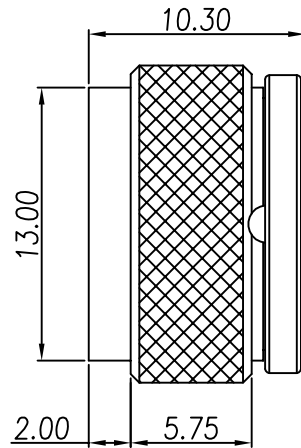
REV.	DESCRIPTION	APPROVED BY	DATE	ECN NO.
A	RELEASE	Fido Weng	25/02/14*	
B				
C				



HPUSING & PIN & O-ring



NUT & anti-vibration detent



- MATERIAL :
 - HOUSING : PA66 ; COLOR : BLACK
 - CONTACT : BRASS
 - NUT : BRASS
 - O-RING : EDPM ; COLOR : BLACK.
- FINISH :
 - CONTACT : SEE TABLE A
UNDER PLATE : NICKEL
 - NUT : NICKEL PLATED.
 - SHELL : NICKEL PLATED.
- ELECTRICAL SPECIFICATION :
 - Rated current : 2A
 - Rated Voltage : 30V
 - Water proof : IPX7
- Environmental :
 - Operation Temperature : $-20^{\circ}\text{C} \sim 85^{\circ}\text{C}$

TABLE A

WP-08F2-65-11	GOLD FLASH
WP-08F2-77-11	GOLD 10 μ "
PART NO	FINISH

DRAWN	Ku Chou	APP'D	Fido Weng	UNIT	mm	TOLERANCE	
CHK'D	Emily Suen			SCALE	1:1	.x ± 0.20 .xx ± 0.10 .xxx ± 0.05 .xxxx ± 0.03 ANGULA $\pm 1^{\circ}$	

NIAN YEONG ENTERPRISE
 年永實業有限公司

TITLE	防水環 M12 8P 梅花型 (F)A-CODE 止洩螺絲式			SHEET	
PART NO.	SEE TABLE A	DWG NO.	QC7283	VERSION	