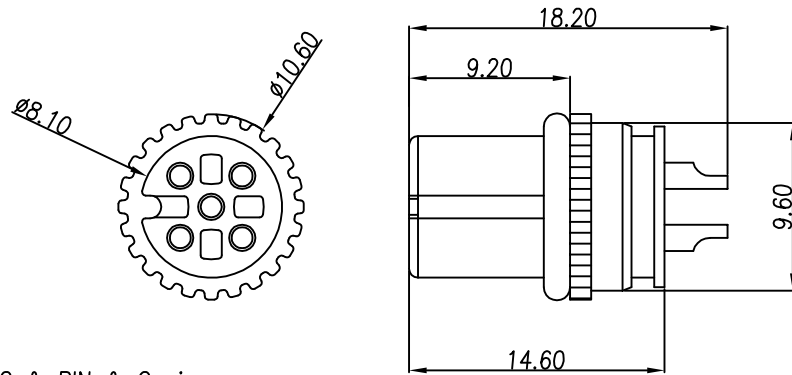


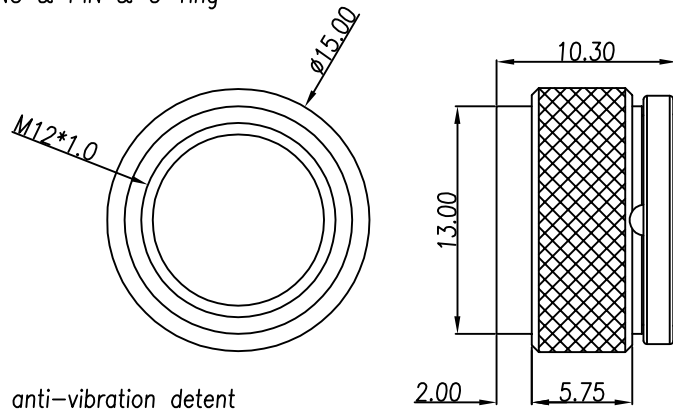
This document is the property of Nian-Yeong Corporation and is delivered on the express condition that it is not to be disclosed, reproduced or used, in whole or in part, for manufacture or sale by anyone other than Nian-Yeong Corporation without its prior consent, and that no right is granted to disclose or to use any information in this document.

CUSTOMER DRAWING

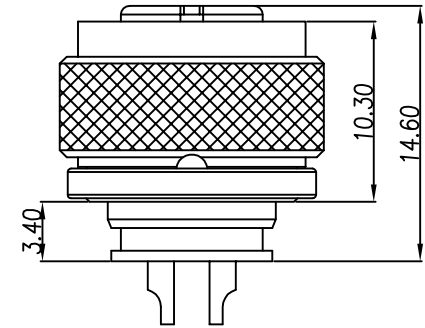
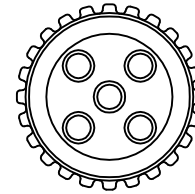
REV.	DESCRIPTION	APPROVED BY	DATE	ECN NO.
A	RELEASE	Fido Weng	25/02/14*	
B				
C				



HPUSING & PIN & O-ring



NUT & anti-vibration detent



- MATERIAL :
  - HOUSING : PA66 ; COLOR : BLACK
  - CONTACT : BRASS
  - NUT : SEE TABLE A
  - O-RING : EDPM ; Color : BLACK.
- FINISH :
  - CONTACT : SEE TABLE A  
UNDER PLATE : NICKEL
  - NUT : SEE TABLE A
- ELECTRICAL SPECIFICATION :
  - Rated current : 4A
  - Rated Voltage : 3~4PIN 250V ; 5PIN 60V
  - Water proof : IPX7
- Environmental :
  - Operation Temperature : -20°C~85°C

TABLE A/表A

WP-03F2-83-11	BRASS/NICKEL PLATED.	GOLD 10u"
WP-04F2-168-11	BRASS/NICKEL PLATED.	GOLD 10u"
WP-05F2-122-11	BRASS/NICKEL PLATED.	GOLD 10u"
WP-05F2-100-11	STAINLESS STEEL 303.	GOLD FLASH
WP-05F2-87-11	BRASS/NICKEL PLATED.	GOLD FLASH
PART NO.	NUT MATERIAL	CONTACT PLATED

WP-05F2-122-11 WP-05F2-100-11 WP-05F2-87-11	WP-04F2-168-11	WP-03F2-83-11

DRAWN	Ku Chou	APP'D	Fido Weng	UNIT	mm	TOLERANCE	ANGULAR	TITLE	防水頭 M12 (F) A-CODE 止滑線端焊線式	SHEET			
CHK'D	Emily Suen			SCALE	1:1	.x ±0.20 .xx ±0.10 .xxx ±0.05 .xxxx ±0.03 ANGULA ±1°		PART NO.	SEE TABLE A	DWG NO.	QC6592	VERSION	A

NIAN YEONG ENTERPRISE  
年永實業有限公司