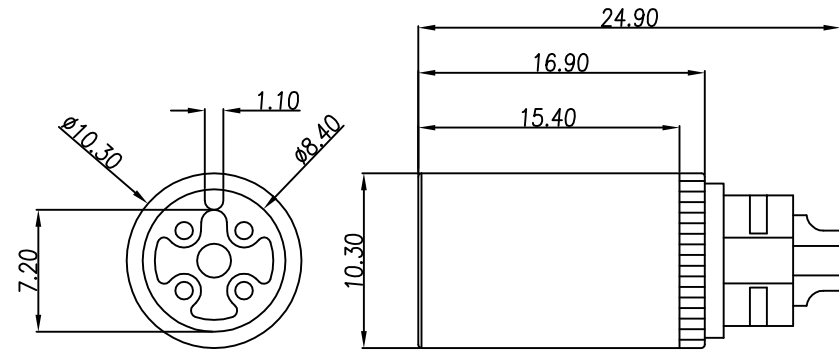


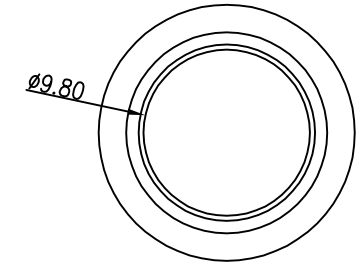
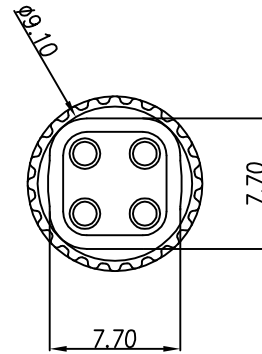
This document is the property of Nian-Yeong Corporation and is delivered on the express condition that it is not to be disclosed, reproduced or used, in whole or in part, for manufacture or sale by anyone other than Nian-Yeong Corporation without its prior consent, and that no right is granted to disclose or to use any information in this document.

CUSTOMER DRAWING

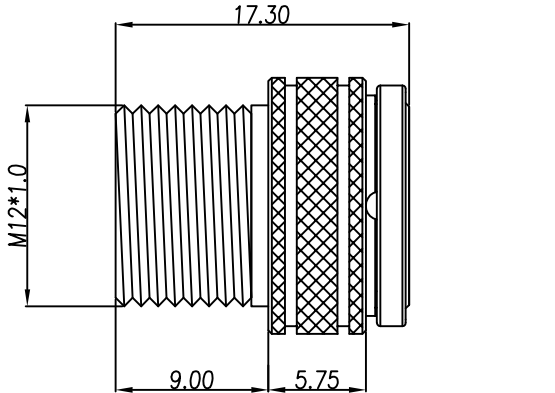
REV.	DESCRIPTION	APPVL. BY	DATE	ECN NO.
A	RELEASE	Fido Weng	18/02/14'	
B				
C				



HPUSING & PIN

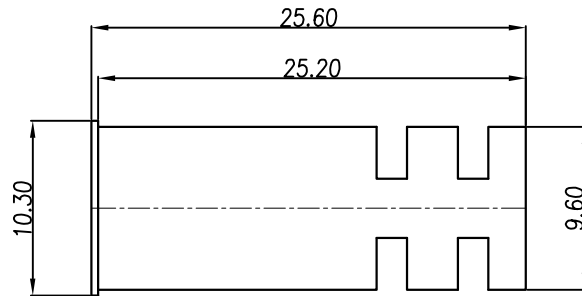


SHELL



Assemble

NUT & anti-vibration detent



- MATERIAL :
 - HOUSING : PA66 ; COLOR : BLACK
 - CONTACT : BRASS
 - NUT : BRASS
 - SHELL : BRASS
- FINISH :
 - CONTACT : GOLD PLATED
UNDER PLATE : NICKEL
 - NUT : NICKEL PLATED.
 - SHELL : NICKEL PLATED.
- ELECTRICAL SPECIFICATION :
 - Rated current : 4A
 - Rated Voltage : 250V
 - Water proof : IPX7
- Environmental :
 - Operation Temperature : -20℃~85℃

DRAW	Ku Chou	APPVL	Emily Suen	UNIT	mm	TOLERANCE	.x ±0.20 .xx ±0.10 .xxx ±0.05 .xxxx ±0.03 ANGULA ±1°	TITLE	防水頭 M12 4PIN(M)A-CODE 止滑接地焊線式	SHEET	1/1		
CHECK	Emily Suen			SCALE	1:1			PART NO.	WP-04M2-95-11	DWG NO.	QC6588	VERSION	A

