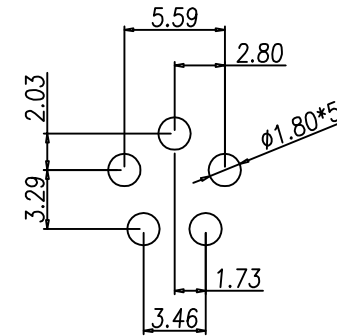
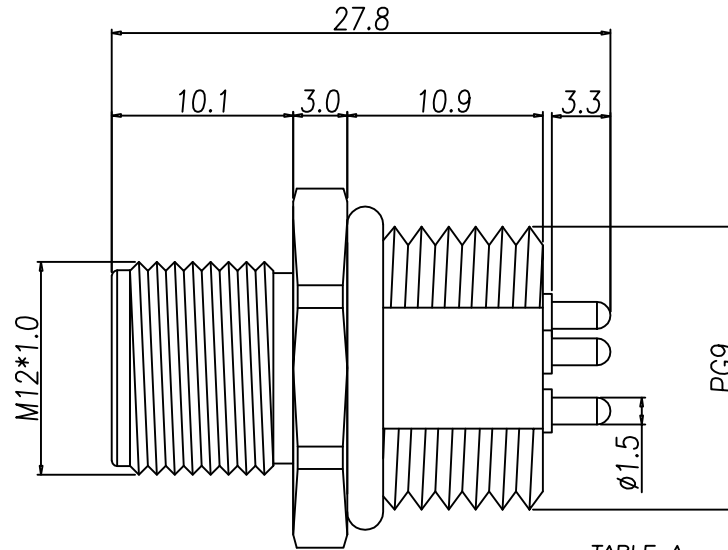
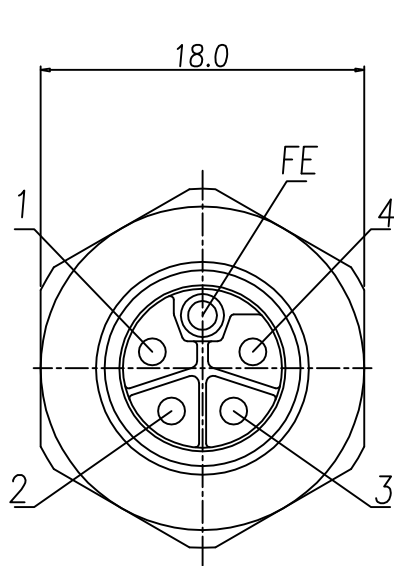


This document is the property of Nian-Yeong Corporation and is delivered on the express condition that it is not to be disclosed, reproduced or used, in whole or in part, for manufacture or sale by anyone other than Nian-Yeong Corporation without its prior consent, and that no right is granted to disclose or to use any information in this document.

# CUSTOMER DRAWING

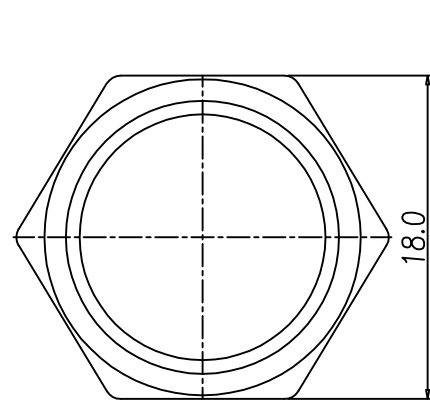
REV.	DESCRIPTION	APPROVED BY	DATE	ECN NO.
A	RELEASE	Fido Weng	13/02/17*	
B				
C				



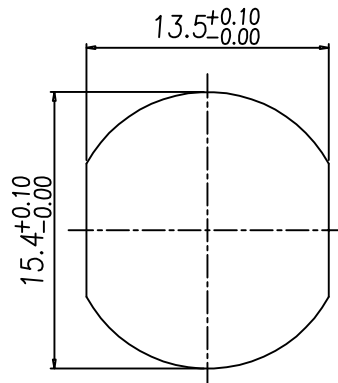
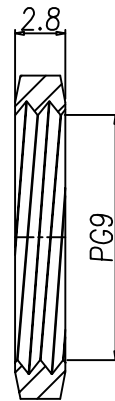
P.C.B LAYOUT

TABLE A

PART No.	MATERIAL(SHELL & NUT)	FINISH(SHELL & NUT)	FINISH(CONTACT)
WP-05M3-20-11	STAINLESS STEEL 316	-	10u" GOLD PLATED
WP-05M3-09-11	BRASS	NICKEL PLATED	GOLD FLASH PLATED



NUT



RECOMMEND PANEL CUT-OUT

- MATERIAL :
  - 1-1. HOUSING : PA66 UL94V-0 ; COLOR : BLACK
  - 1-2. CONTACT : BRASS
  - 1-3. NUT : SEE TABLE A
  - 1-4. SHELL : SEE TABLE A
  - 1-5. O-RING : EPDM
- FINISH :
  - 2-1. CONTACT : SEE TABLE A  
UNDER PLATE : NICKEL
  - 2-2. NUT : SEE TABLE A
  - 2-3. SHELL : SEE TABLE A
- ELECTRICAL SPECIFICATION :
  - 3-1. Rated current : 16A
  - 3-2. Rated voltage : 63V
  - 3-3. Water proof : IP67/68
- Environmental :
  - 4-1. Operation Temperature : -40°C~85°C

DRAWN	Ku Chou	APPEND	Emily Suen	UNIT	mm	TOLERANCE		TITLE	M12 5PIN (4+FE) L-CODE (M) 後端PG9 DIP式			SHEET	
CHOKED	Emily Suen			SCALE	1:1	.x ±0.20 .xx ±0.10 .xxx ±0.05 .xxxx ±0.03 ANGULA ±1°		PART NO.	SEE TABLE A	DWG NO.	QC9053	VERSION	

**NIAN YEONG ENTERPRISE**  
年永實業有限公司