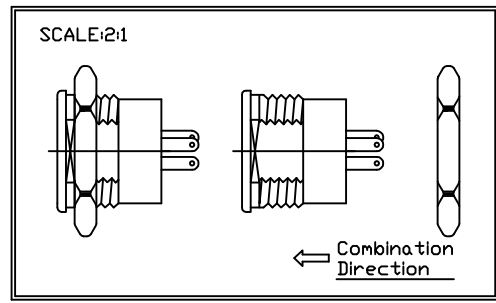
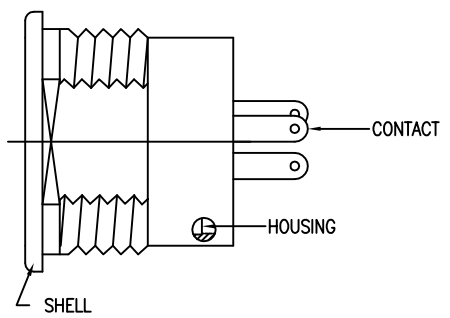
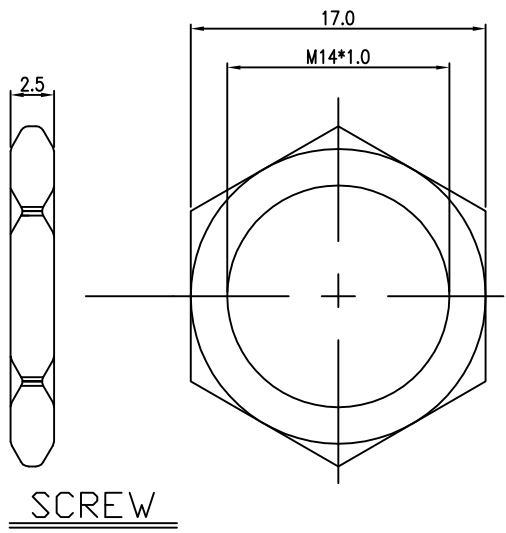
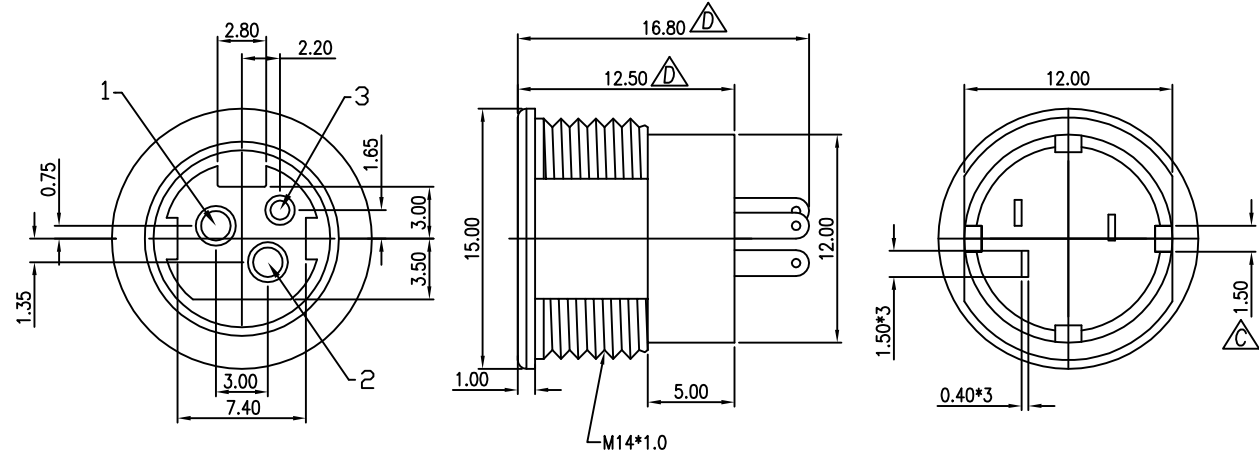


This document is the property of Nian-Yeong Corporation and is delivered on the express condition that it is not to be disclosed, reproduced or used, in whole or in part, for manufacture or sale by anyone other than Nian-Yeong Corporation without its prior consent, and that no right is granted to disclose or to use any information in this document.

# CUSTOMER DRAWING

REV.	DESCRIPTION	APPROVED BY	DATE	ECN NO.
A	Release	Fideo Weng	27/03/09*	ECN09051
B	MODIFY	Fideo Weng	06/08/09*	
C	增加打點	Emily Suen	02/05/12*	ECN12007
D	尺寸改變	Emily Suen	14/02/17*	ECN17001



1. MATERIAL :
  - 1-1. HOUSING : PBT UL94V-0 ; COLOR : BLACK
  - 1-2. CONTACT : PHOSPHOR BRONZE
  - 1-3. SHELL : BRASS
  - 1-4. SCREW : BRASS
2. FINISH :
  - 2-1. CONTACT : TIN PLATING OVER NICKEL
  - 2-2. SHELL : NICKEL PLATED 60u" ~ 100u" OVER ALL
  - 2-3. SCREW : NICKEL PLATED 60u" ~ 100u" OVER ALL
3. ELECTRICAL SPECIFICATION :
  - 3-1. RATED CURRENT : 7.5A & 1A
  - 3-2. RATED VOLTAGE : 20V/DC MAX
4. ENVIRONMENTAL :
  - 4-1. OPERATION TEMPERATURE : -20 °C ~ 85°C

DRAWN	Ku Chou	APP'D	Emily Suen	UNIT	mm	TOLERANCE			TITLE	POWER DIN 3P 母座插頭			SHEET
CHK'D	Emily Suen			SCALE	1:1	.x ±0.20 .xx ±0.10 .xxx ±0.05 .xxxx ±0.01 ANGULA ±1°			年永實業有限公司	PART NO.	PD-03F1-01	DWG NO.	QC1775