

This document is the property of Nian-Yeong Corporation and is delivered on the express condition that it is not to be disclosed, reproduced or used, in whole or in part, for manufacture or sale by anyone other than Nian-Yeong Corporation without its prior consent, and that no right is granted to disclose or to use any information in this document.

CUSTOMER DRAWING

REV.	DESCRIPTION	APPROVED BY	DATE	ECN NO.
A	RELEASE	Ku Chou	06/09/19*	
B				
C				

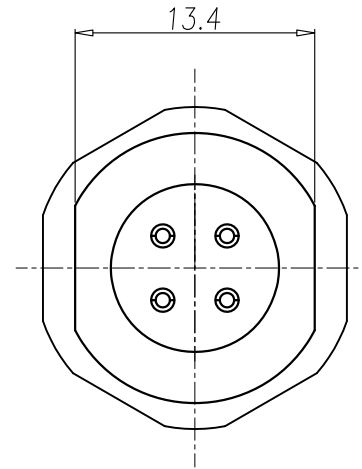
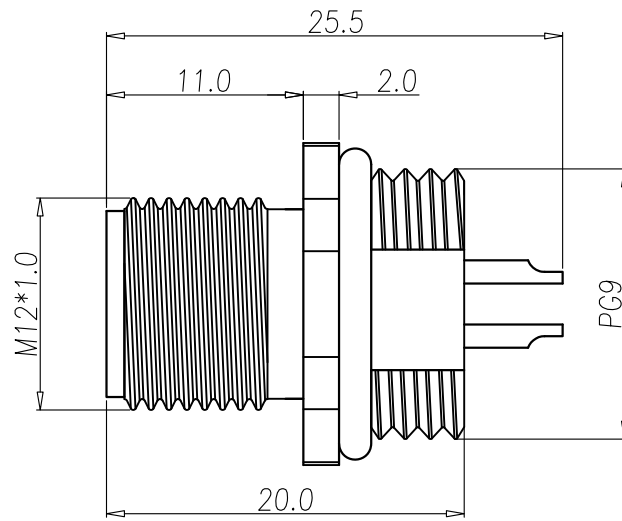
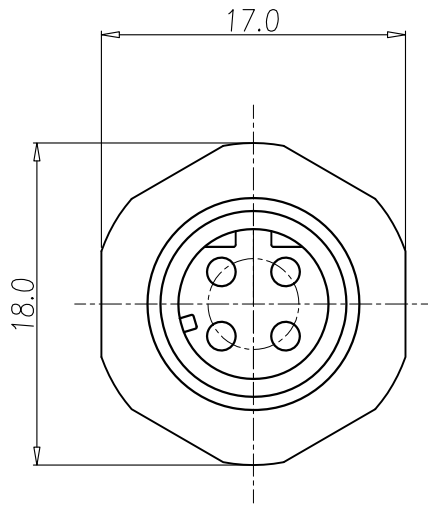
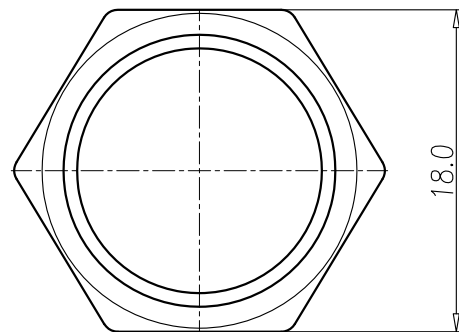
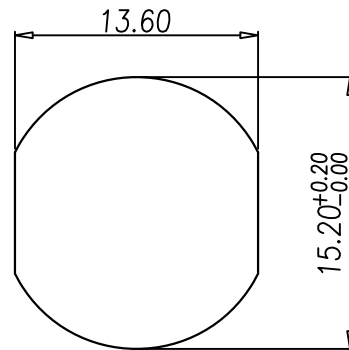
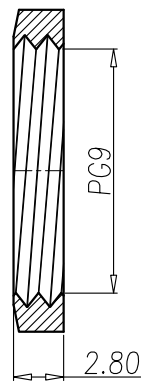


TABLE A

WP-04M2-195-11	WP-05M2-181-11



NUT



PANEL CUT-OUT

- MATERIAL :
  - HOUSING : PBT UL94V-0 ; COLOR : BLACK
  - CONTACT : BRASS
  - SHELL : BRASS
  - NUT : BRASS
  - O-RING : NBR ; COLOR : BLACK
- FINISH :
  - CONTACT : 10 MICRO INCHES MIN. GOLD PLATED  
UNDER PLATE : NICKEL
  - SHELL : NICKEL PLATED.
  - NUT : NICKEL PLATED.
- ELECTRICAL SPECIFICATION :
  - Rated current : 4A
  - Rated Voltage : 250V
  - Water proof : IPX7
- Environmental :
  - Operation Temperature : -20°C~85°C

DRAWN	Emily Suen	APP'D	Ku Chou	UNIT	mm	TOLERANCE	<b>NIAN YEONG ENTERPRISE</b> 年永實業有限公司	TITLE	WP M12 (M)D-CODE 板端接鎖PG9焊線式			SHEET	A
CHK'D	Ku Chou			SCALE	1:1	.x ±0.20 .xx ±0.10 .xxx ±0.05 .xxxx ±0.03 ANGULA ±1°		PART NO.	SEE TABLE A	DWG NO.	QC9395	VERSION	