

This document is the property of Nian-Yeong Corporation and is delivered on the express condition that it is not to be disclosed, reproduced or used, in whole or in part, for manufacture or sale by anyone other than Nian-Yeong Corporation without its prior consent, and that no right is granted to disclose or to use any information in this document.

CUSTOMER DRAWING

REV.	DESCRIPTION	APPVL. BY	DATE	ECN NO.
A	Release	Janes	28/05/14'	
B				
C				

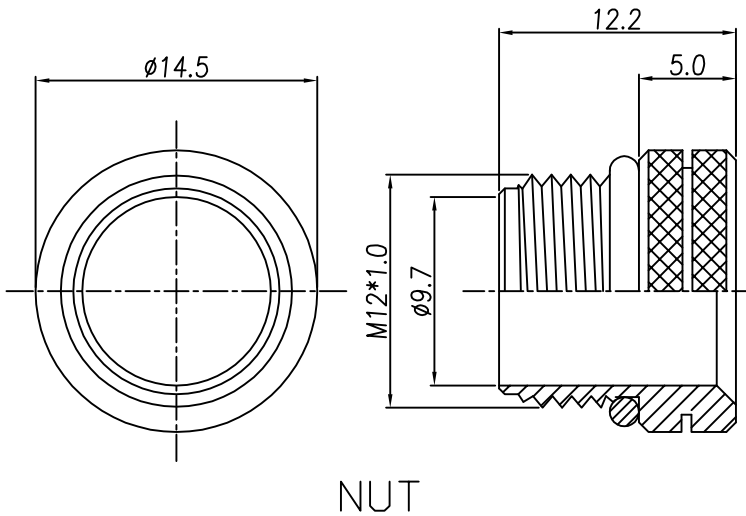
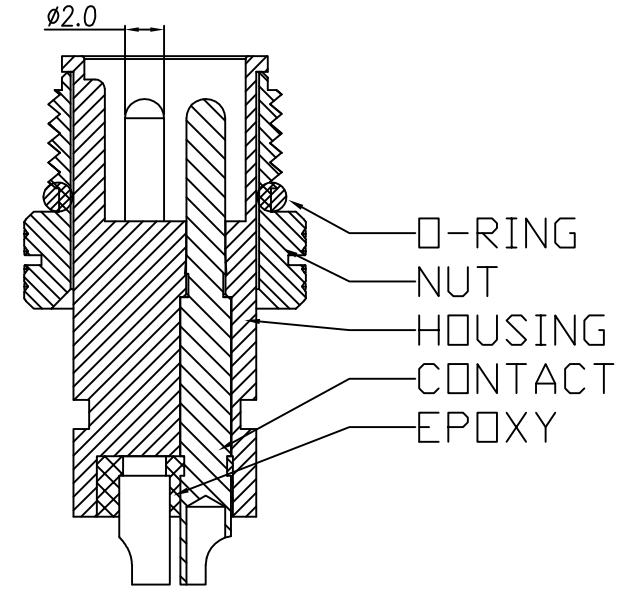
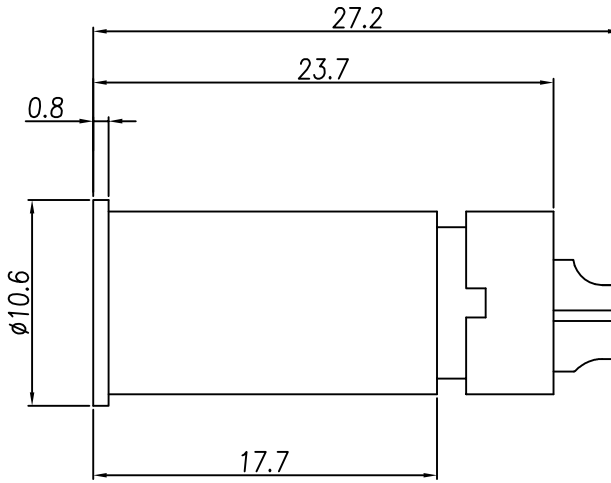
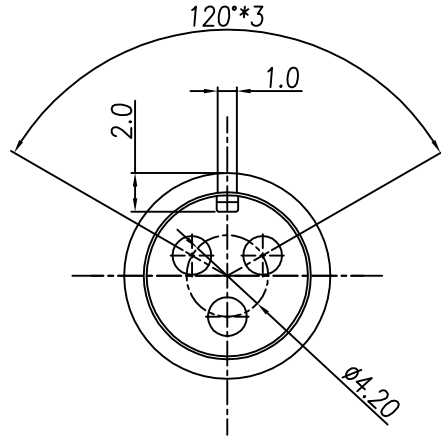


TABLE A

WP-03M2-40-11	WP-02M2-28-11

- MATERIAL :
  - HOUSING :PBT+15%GF UL94V-0 ; COLOR : BLACK
  - CONTACT :BRASS
  - NUT :BRASS
  - O-RING : EPDM ; COLOR : BLACK
- FINISH :
  - CONTACT : GOLD FLASH MICRO INCHES MIN.  
UNDER PLATE : NICKEL
  - NUT : NICKEL PLATED.
- ELECTRICAL SPECIFICATION :
  - Rated current : 15A
  - Rated Voltage : 250V
  - Water proof : IPX7
- Environmental :
  - Operation Temperature : -40 °C~105°C

DRAW	James	APPVL	Ku Chou	UNIT	mm	TOLERANCE		TITLE	防水頭 (M) 線端 (3粗-Ø2.0)			SHEET	
CHECK	Ku Chou			SCALE	1:1	.x ±0.20 .xx ±0.10 .xxx ±0.05 .xxxx ±0.03 ANGULA ±1°			PART NO.	SEE TABLE A	DWG NO.	QC6754	VERSION A
								年永實業有限公司					