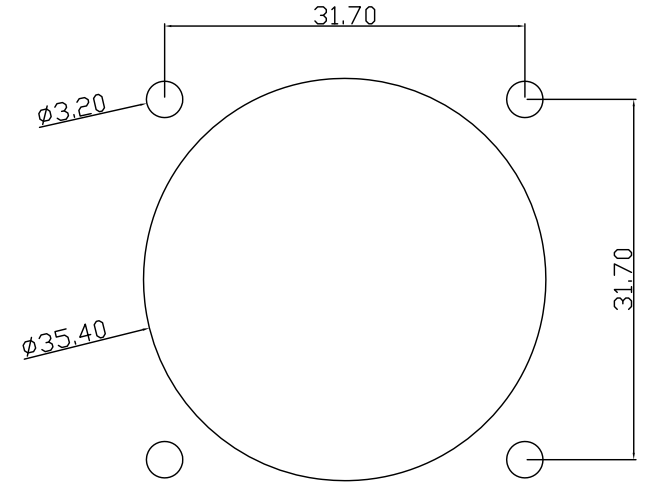


This document is the property of Nian-Yeong Corporation and is delivered on the express condition that it is not to be disclosed, reproduced or used, in whole or in part, for manufacture or sale by anyone other than Nian-Yeong Corporation without its prior consent, and that no right is granted to disclose or to use any information in this document.

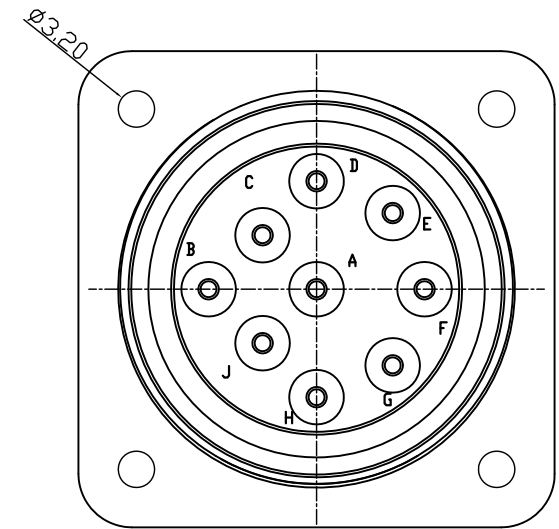
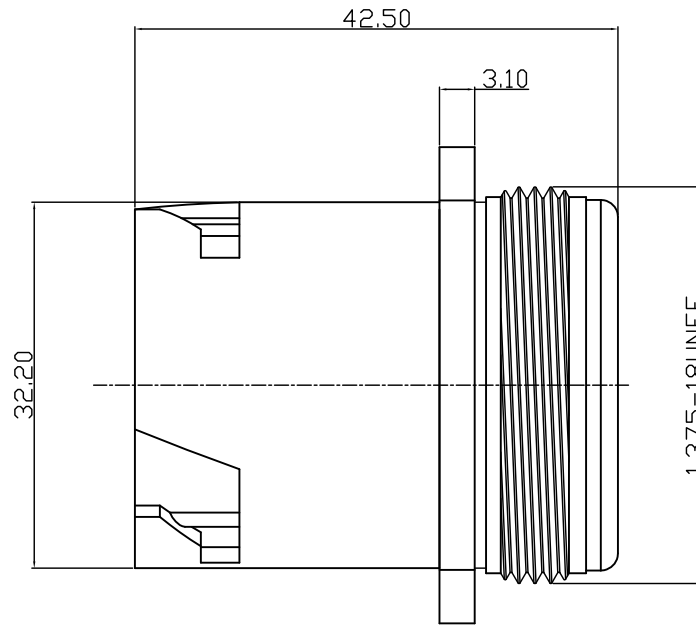
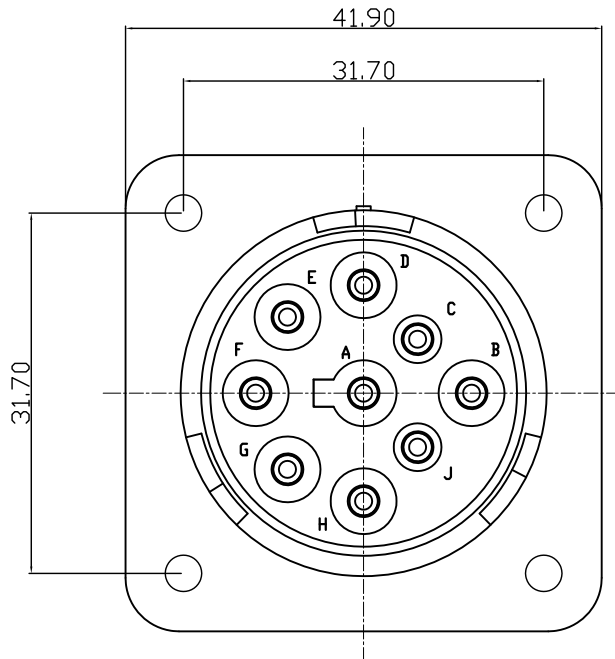
CUSTOMER DRAWING

| REV. | DESCRIPTION | APPROVED BY | DATE | ECN NO. |
|------|-------------|-------------|------------|---------|
| A | RELEASE | EMILY SUEN | 2017/06/05 | |
| B | | | | |
| C | | | | |

1. MATERIAL :
 - 1-1. INSULATOR : PA66 ; COLOR : BLACK
 - 1-2. HOUSING : PA66 ; COLOR : BLACK
 - 1-3. REAR COVER : PA66 ; COLOR : BLACK
 - 1-4. RUBBER : SILICONE ; COLOR : ORANGE
2. ELECTRICAL SPECIFICATION :
 - 2-1. Rated current : 13A
 - 2-2. Rated Voltage : 500V
3. Environmental :
 - 3-1. Operation Temperature : -40°~105°



MOUNTING HOLE DETAIL



| | | | | | | | | | | | | | |
|-------|----------|-------|---------|-------|-----|--|--|----------|-------------------------------|---------|--------|---------|--|
| DRAWN | Yeh Chou | APP'D | Ku Chou | UNIT | mm | TOLERANCE | | TITLE | 防水9PIN (F) 方型四孔(1.375-18UNEF) | | | SHEET | |
| CHK'D | Yeh Chou | | | SCALE | 1:1 | .x ±0.10 .xx ±0.05 .xxx ±0.03 .xxxx ±0.01 ANGULA ±1° | | PART NO. | WP-09F2-10-11 | DWG NO. | QC7821 | VERSION | |

NIAN YEONG ENTERPRISE
年永實業有限公司