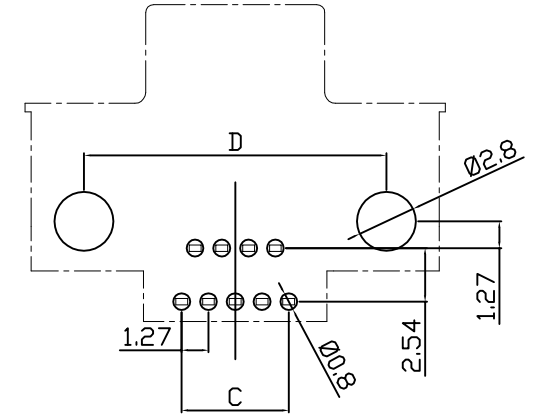
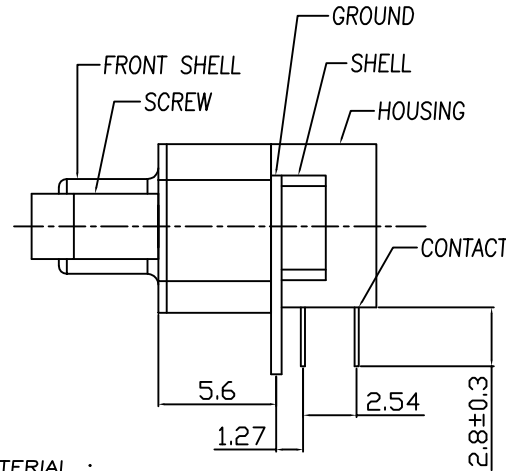
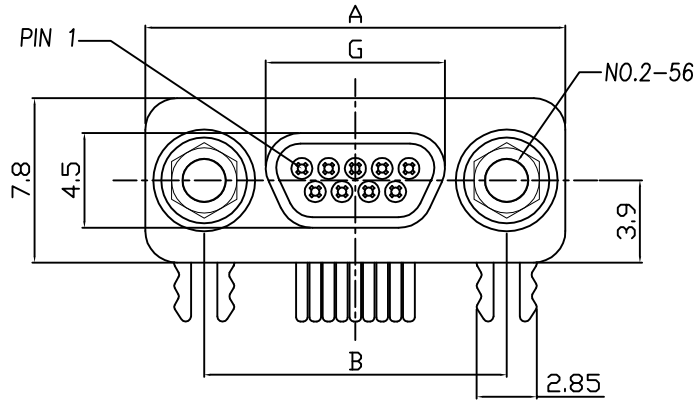


This document is the property of Nian-Yeong Corporation and is delivered on the express condition that it is not to be disclosed, reproduced or used, in whole or in part, for manufacture or sale by anyone other than Nian-Yeong Corporation without its prior consent, and that no right is granted to disclose or to use any information in this document.

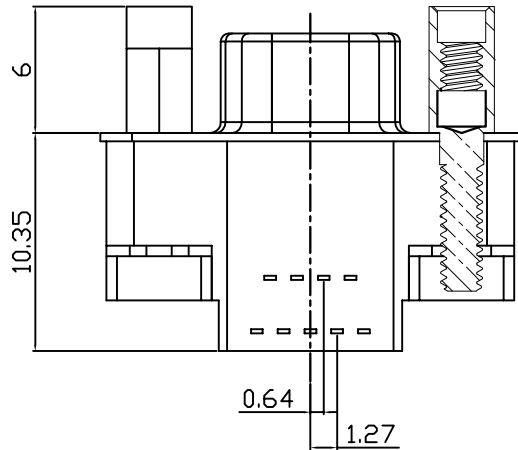
# CUSTOMER DRAWING

REV.	DESCRIPTION	APPROVED BY	DATE	ECN NO.
A	RELEASE	Emily Suen	07/12/2011*	
B				
C				

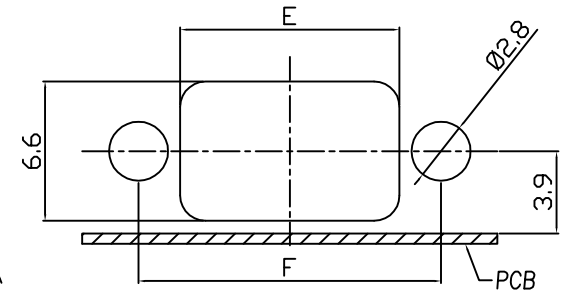
P/N	NUMBER OF PINS	A	B	C	D	E	F	G
DB-09F3-02	9	19.93	14.35	5.08	14.35	10.41	14.35	8.30
DB-15F3-02	15	23.75	18.16	8.89	18.16	14.22	18.16	12.20
DB-25F3-02	25	30.10	24.51	15.23	24.51	20.57	24.51	18.55



P.C.B LAYOUT



- MATERIAL :
  - HOUSING : LCP UL94V-0 ; COLOR : BLACK
  - CONTACT : PHOSPHOR BRONZE
  - FRONT SHELL : SPCC
  - SHELL : BRASS
  - GROUND : BRASS
  - SCREW : BRASS
- FINISH :
  - CONTACT : GOLD 15u" ON CONTACT AREA  
MATTE TIN 60u" ON SOLDER AREA
  - FRONT SHELL : NICKEL PLATED 60u" ~ 100u" OVER ALL
  - SHELL : NICKEL PLATED 60u" ~ 100u" OVER ALL
  - GROUND : NICKEL PLATED 60u" ~ 100u" OVER ALL
  - SCREW : NICKEL PLATED 60u" ~ 100u" OVER ALL
- ELECTRICAL SPECIFICATION :
  - Rated current : 1A at 25°C/77°F, 0.7A at 70°C/158°F
  - Voltage : 350Vac
- Environmental :
  - Operation Temperature : -40°C~+125°C



PANEL CUT-OUT

DRAWN	Yeh Chou	APP'D	Emily Suen	UNIT	mm	TOLERANCE		TITLE	MICRO D-SUB 9-25P(F) 板上90°帶螺絲			SHEET	
CHK'D	Emily Suen	SCALE	1:1			.x ±0.20 .xx ±0.15 .xxx ±0.10 .xxxx ±0.05 ANGULA ±1°		PART NO.	SEE TABLE A	DWG NO.	QC5307	VERSION	