

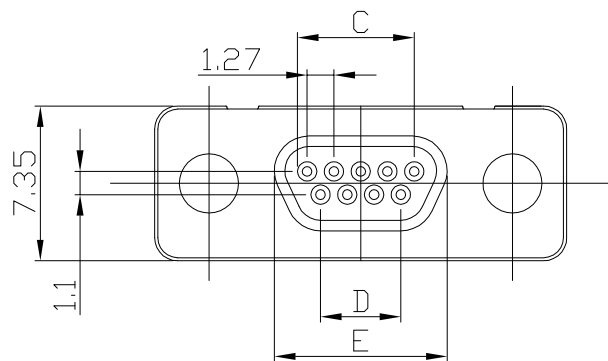
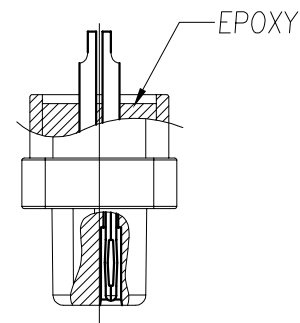
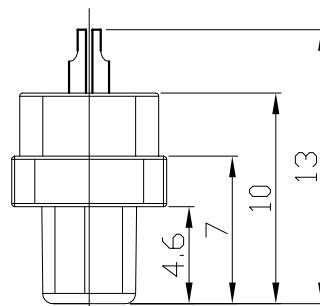
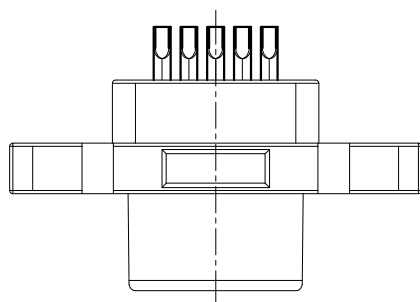
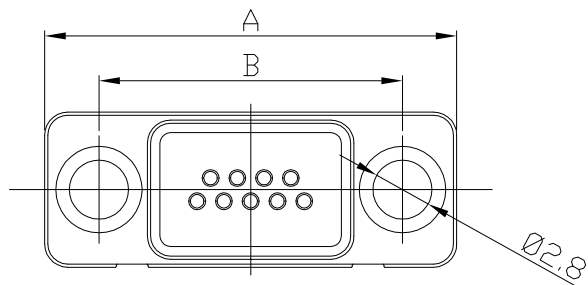
This document is the property of Nian-Yeong Corporation and is delivered on the express condition that it is not to be disclosed, reproduced or used, in whole or in part, for manufacture or sale by anyone other than Nian-Yeong Corporation without its prior consent, and that no right is granted to disclose or to use any information in this document.

CUSTOMER DRAWING

REV.	DESCRIPTION	APPROVED BY	DATE	ECN NO.
A	RELEASE	Yeh Chou	15/08/2016*	
B				
C				

TABLE A

P/N	NUMBER OF PINS	A	B	C	D	E
DB-09F2-06-11	9	19.55	14.35	5.08	3.81	8.20
DB-15F2-04-11	15	23.36	18.20	8.89	7.62	12.00
DB-25F2-04-11	25	29.70	24.55	15.24	13.97	18.35



1. MATERIAL :

- 1-1. HOUSING : PBT UL94V-0 ; COLOR : BLACK
- 1-2. CONTACT : PHOSPHOR BRONZE
- 1-3. SHELL : Zn Alloy

2. FINISH :

- 2-1. CONTACT : 15u" GOLD OVER 60u" MIN NICKEL ON MATING AREA
60u" MIN BRIGHT TIN OVER 60u" MIN NICKEL ON SOLDER AREA
- 2-2. SHELL : NICKEL PLATED 60u" ~ 100u" ON OVER ALL

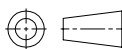
3. ELECTRICAL SPECIFICATION :

- 3-1. RATED CURRENT : 1A at 25°C/77°F, 0.7A at 70°C/158°F
- 3-2. VOLTAGE : 350Vac
- 3-3. WITHSTANDING VOLTAGE: 630V AC
- 3-4. CONTACT RESISTANCE: 15 m (MAX) INITIAL
CONTACT RESISTANCE: 30 m (MAX) FINAL
- 3-5. INSULATION RESISTANCE: 1000 M ohms (MIN)

4. Environmental :

- 4-1. Operation Temperature : -40°C~+125°C

DRAWN	Yeh Chou	APP'D	Emily Suen	UNIT	mm	TOLERANCE
CHK'D	Emily Suen			SCALE	1:1	.x ±0.20 .xx ±0.15 .xxx ±0.10 .xxxx ±0.05 ANGULA ±1°



NIAN YEONG ENTERPRISE
年永實業有限公司

TITLE	MICRO D-SUB FEMALE 焊線式			SHEET	1
PART NO.	SEE TABLE A	DWG NO.	QC7595	VERSION	A