

This document is the property of Nian-Yeong Corporation and is delivered on the express condition that it is not to be disclosed, reproduced or used, in whole or in part, for manufacture or sale by anyone other than Nian-Yeong Corporation without its prior consent, and that no right is granted to disclose or to use any information in this document.

CUSTOMER DRAWING

REV.	DESCRIPTION	APPROVED BY	DATE	ECN NO.
A	RELEASE	Fido Weng	20/10/10'	
B	新增料號	KU	11/09/17'	
C	修正端子材質	KU	25/04/18'	

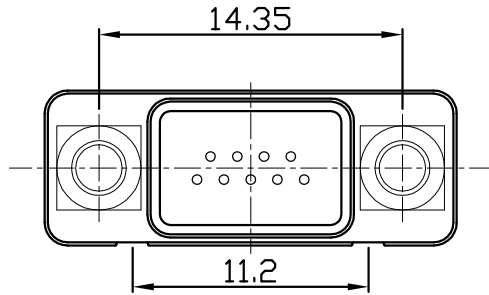
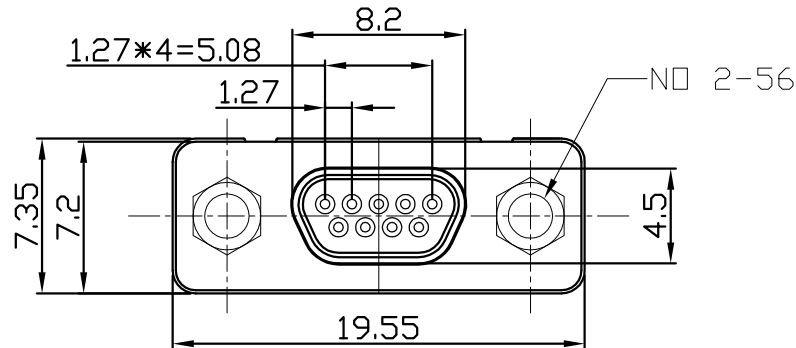
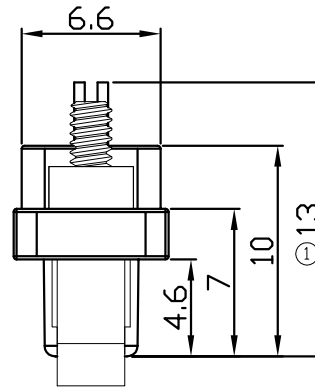
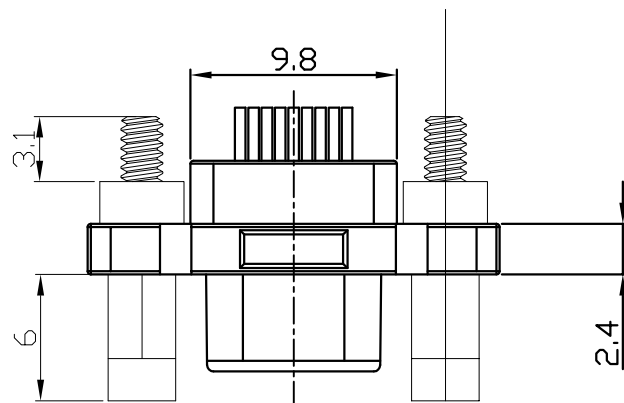


TABLE A

P/N	NUMBER OF PINS	A	B	C	D
DB-09F2-05	9	19.55	14.35	5.08	3.81
DB-15F2-05-11	15	23.36	18.20	8.89	7.62
DB-25F2-06-11	25	29.70	24.55	15.24	13.97



1. MATERIAL :

- 1-1. PLASTIC SHELL : Zn ALLOY
- 1-2. CONTACT : PHOSPHOR BRONZE
- 1-3. HOUSING : PBT UL 94V-0

2. FINISH :

- 2-1. PLASTIC SHELL : NICKEL 60u" OVER ALL
- 2-2. CONTACT : GOLD 15u" ON CONTACT AREA
GOLD FLASH OVER ALL

DRAWN	Mark Kao	APP'D	Emily Suen	UNIT	mm	TOLERANCE	 NIAN YEONG ENTERPRISE 年永實業有限公司	TITLE	MICRO D-SUB (F) 帶螺絲			SHEET	 VERSION c
CHK'D	Ku Chou			SCALE	1:1	.x ±0.20 .xx ±0.15 .xxx ±0.10 .xxxx ±0.05 ANGULA ±1°		PART NO.	SEE TABLE A	DWG NO.	QC4754		