

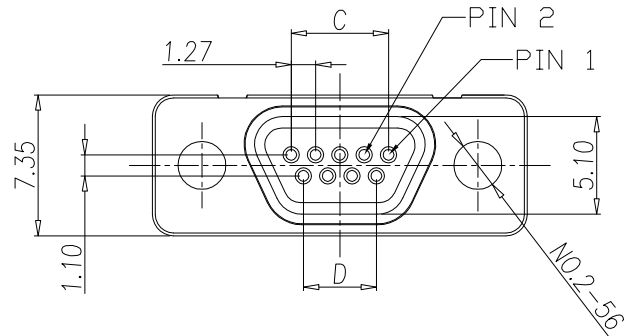
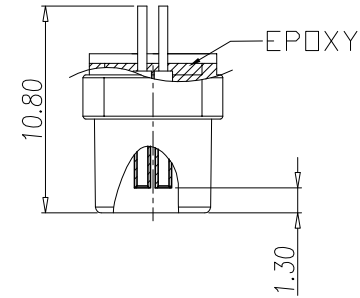
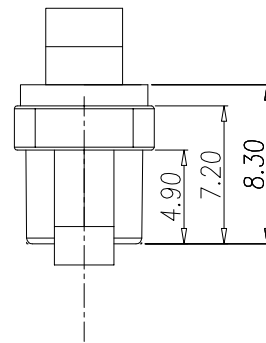
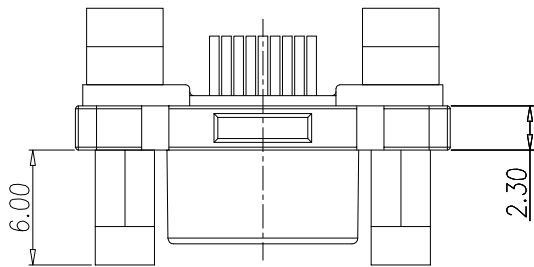
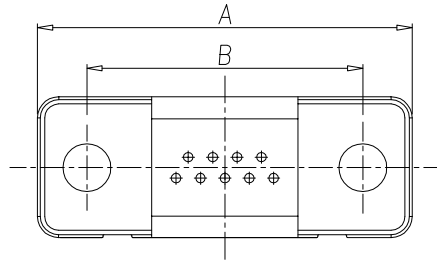
This document is the property of Nian-Yeong Corporation and is delivered on the express condition that it is not to be disclosed, reproduced or used, in whole or in part, for manufacture or sale by anyone other than Nian-Yeong Corporation without its prior consent, and that no right is granted to disclose or to use any information in this document.

CUSTOMER DRAWING

REV.	DESCRIPTION	APPROVED BY	DATE	ECN NO.
A	RELEASE&CHANFE P/N	Emily Suen	07/12/2011*	
B				
C				

TABLE A

P/N	NUMBER OF PINS	A	B	C	D	E
DB-09M2-10-11	9	19.55	14.35	5.08	3.81	8.90
DB-15M2-07-11	15	23.36	18.20	8.89	7.62	12.60
DB-25M2-05-11	25	29.70	24.55	15.24	13.97	18.95



- MATERIAL :**
 - HOUSING : PBT UL94V-0 ; COLOR : BLACK
 - CONTACT : BRASS
 - SHELL : Zn Alloy
- FINISH :**
 - CONTACT : GOLD 15u" ON OVER ALL
 - SHELL : NICKEL PLATED 60u" ~ 100u" OVER ALL
- ELECTRICAL SPECIFICATION :**
 - Rated current : 1A at 25°C/77°F, 0.7A at 70°C/158°F
 - Voltage : 350Vac
- Environmental :**
 - Operation Temperature : -40°C~+125°C

DRAWN	Yeh Chou	APP'D	Emily Suen	UNIT	mm	TOLERANCE		NIAN YEONG ENTERPRISE 年永實業有限公司	TITLE	MICRO D-SUB (M) (帶螺絲L=6.0)			SHEET	
CHK'D	Emily Suen			SCALE	1:1	.x ±0.20 .xx ±0.15 .xxx ±0.10 .xxxx ±0.05 ANGULA ±1°			PART NO.	TABLE A	DWG NO.	QC8015	VERSION	