

This document is the property of Nian-Yeong Corporation and is delivered on the express condition that it is not to be disclosed, reproduced or used, in whole or in part, for manufacture or sale by anyone other than Nian-Yeong Corporation without its prior consent, and that no right is granted to disclose or to use any information in this document.

CUSTOMER DRAWING

REV.	DESCRIPTION	APPROVED BY	DATE	ECN NO.
A	RELEASE	Yeh Chou	2010/01/03	
B	變更膠芯顏色	KU	06/05/16'	ECN-16007
C				
D				

1. MATERIAL :

- 1-1. INSULATOR : PA66 ; COLOR : SEE TABLE A
- A** 1-2. HOUSING : PA66 ; COLOR : BLACK
- 1-3. REAR COVER : PA66 ; COLOR : SEE TABLE A
- 1-4. RUBBER : SILICONE ; COLOR : ORANGE

2. ELECTRICAL SPECIFICATION :

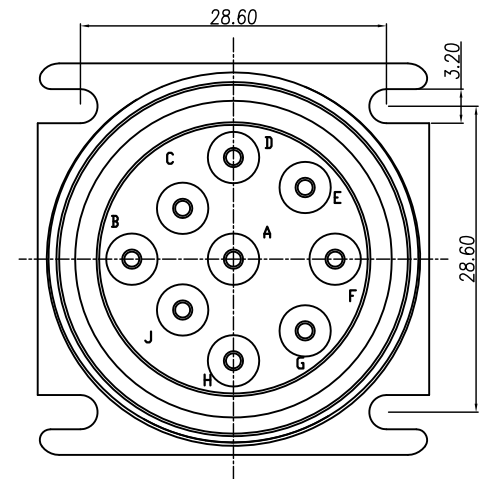
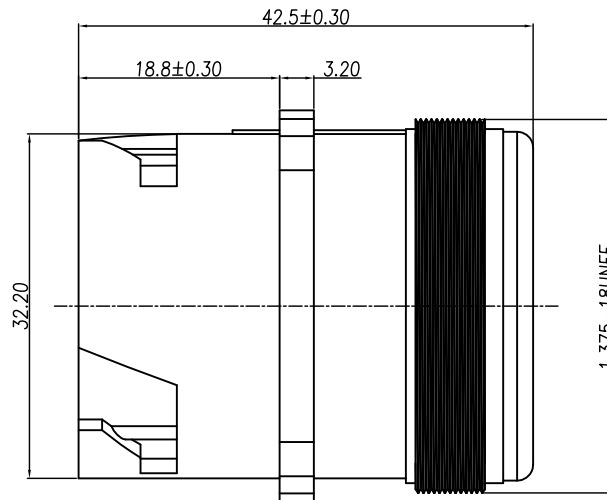
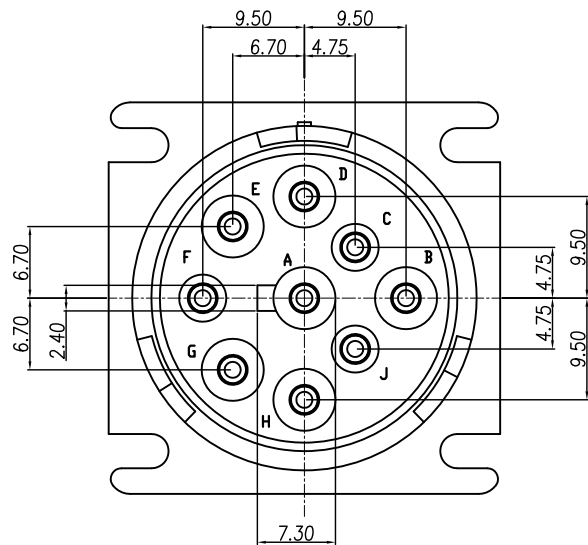
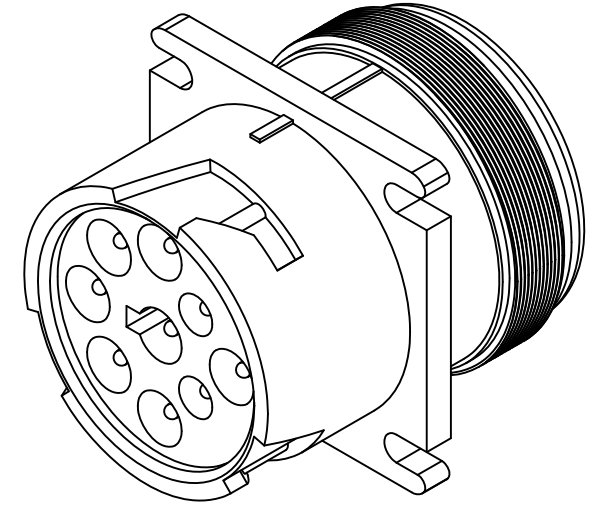
- 2-1. Rated current : 13A
- 2-2. Rated Voltage : 500V
- 2-3. Water proof : IP67

3. Environmental :

- 3-1. Operation Temperature : -40°~105°

TABLE A

P/N	DESCRIPTION
WP-09F2-11-11	防水頭9PIN(F)(1.375-18UNEF)(6粗3細)(黑色)
WP-09F2-05-01	防水頭9PIN(F)(1.375-18UNEF)(綠色)



DRAWN	Yeh Chou	APP'D	Ku Chou	UNIT	mm	TOLERANCE			TITLE	防水頭9PIN(F)(1.375-18UNEF)(綠色)			SHEET	
CHK'D	Yeh Chou			SCALE	1:1	.x ±0.20 .xx ±0.10 .xxx ±0.05 .xxxx ±0.03 ANGULA ±1°			PART NO.	SEE TABLE A	DWG NO.	QC6815	VERSION	