

This document is the property of Nian-Yeong Corporation and is delivered on the express condition that it is not to be disclosed, reproduced or used, in whole or in part, for manufacture or sale by anyone other than Nian-Yeong Corporation without its prior consent, and that no right is granted to disclose or to use any information in this document.

CUSTOMER DRAWING

REV.	DESCRIPTION	APPROVED BY	DATE	ECN NO.
A	RELEASE	Fido Weng	15/08/11*	
B	CHANGE MATERIAL	Fido Weng	07/11/12*	
C	新增料號	Fido Weng	02/07/13*	

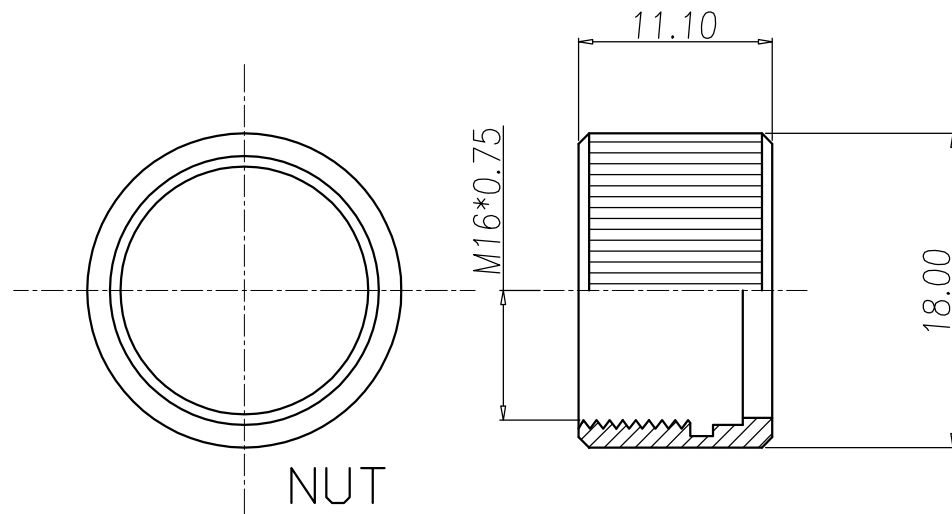
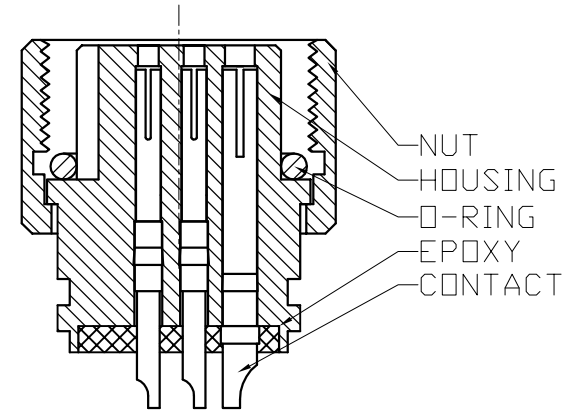
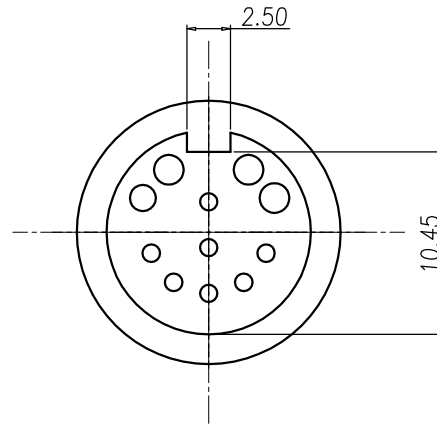
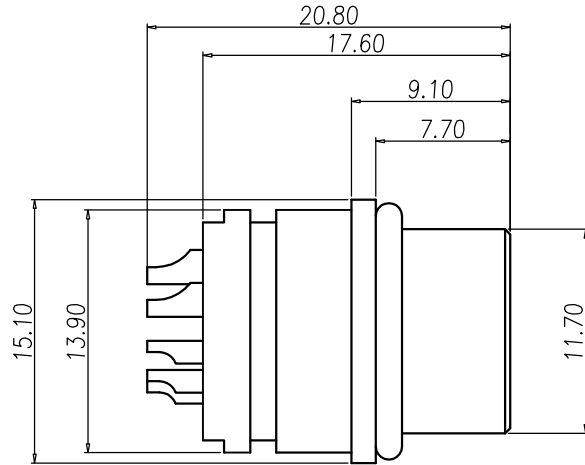


TABLE A

DI-08F1-02-11 (8P)	DI-11F1-01 (11P)

- MATERIAL :
 - HOUSING : PBT ; COLOR : BLACK
 - CONTACT : BRASS
 - NUT : BRASS.
 - O-RING : EPDM ; COLOR : BLACK
- FINISH :
 - CONTACT : GOLD FLASH MICRO INCHES MIN. UNDER PLATE : NICKEL
 - NUT : Satin Nickel PLATED.
- ELECTRICAL SPECIFICATION :
 - Rated current : 10A+1A
 - Rated Voltage : 250V+125V
- Environmental :
 - Operation Temperature : -40 °C~85°C

DRAWN	CHOKED	APPEND	UNIT	TOLERANCE	ANGULAR	TITLE	PART NO.	VERSION
KU	Emily Suen	APPEND	mm	.x ±0.20 .xx ±0.10 .xxx ±0.05 .xxxx ±0.03	±1°	DIN M16 (F) 10A+1A	SEE TABLE A	B
Emily Suen			SCALE 1:1				DWG NO. QC5465	

NIAN YEONG ENTERPRISE
年永實業有限公司