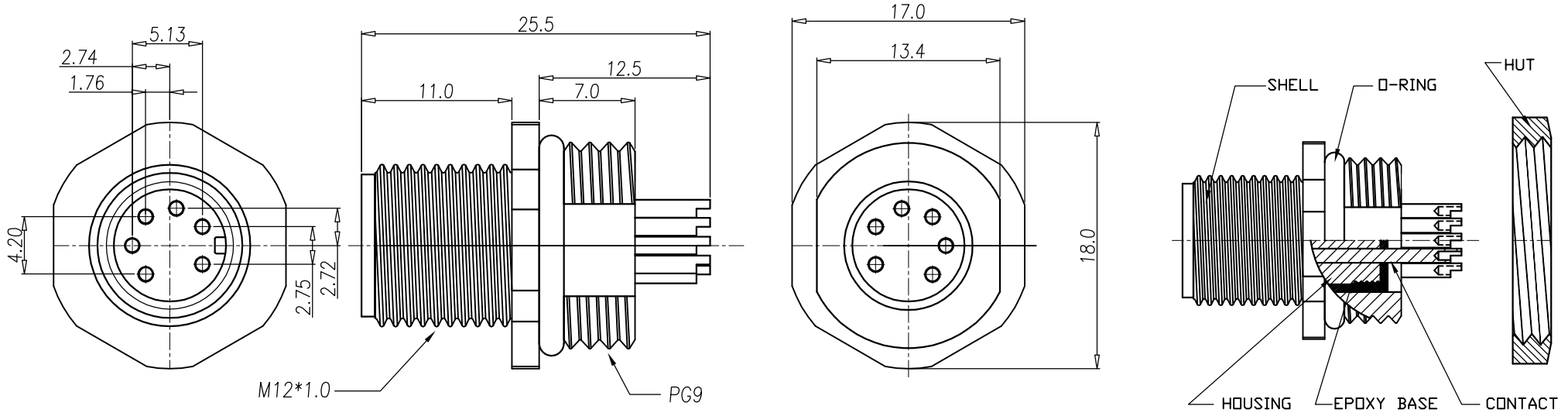


This document is the property of Nian-Yeong Corporation and is delivered on the express condition that it is not to be disclosed, reproduced or used, in whole or in part, for manufacture or sale by anyone other than Nian-Yeong Corporation without its prior consent, and that no right is granted to disclose or to use any information in this document.

# CUSTOMER DRAWING

REV.	DESCRIPTION	APPVL. BY	DATE	ECN NO.
A	RELEASE	Fido Weng	13/02/09*	
B	ADD RECOMMENDPANEL CUT-OUT	Fido Weng	28/03/19*	
C				



## RECOMMENDPANEL CUT-OUT

### NOTE

- MATERIAL :
  - HOUSING : PBT UL94V-0 ; COLOR : BLACK
  - CONTACT : BRASS
  - SHELL : BRASS
  - NUT : BRASS
  - O-RING : NBR ; COLOR : BLACK
- FINISH :
  - CONTACT : 10 MICRO INCHES MIN. GOLD PLATED  
UNDER PLATE : NICKEL
  - SHELL : NICKEL PLATED 60u" ~ 100u" OVER ALL
  - NUT : NICKEL PLATED 60u" ~ 100u" OVER ALL
- ELECTRICAL SPECIFICATION :
  - Rated current : 2A
  - Rated Voltage : 30V
  - Water proof : IPX7
- Environmental :
  - Operation Temperature : -40°C~85°C

DRAW	Mark Kao	APPVL	Emily Suen	UNIT	mm	TOLERANCE		TITLE	WP M12 6PIN(M) 连接器 (插脚 PG9) A Code			SHEET	
CHECK	Ku Chou			SCALE	1:1	.x ±0.10 .xx ±0.05 .xxx ±0.03 .xxxx ±0.01 ANGULA ±1°		PART NO.	WP-06M2-09	DWG NO.	QC4086	VERSION	

**NIAN YEONG ENTERPRISE**  
年永實業有限公司