

This document is the property of Nian-Yeong Corporation and is delivered on the express condition that it is not to be disclosed, reproduced or used, in whole or in part, for manufacture or sale by anyone other than Nian-Yeong Corporation without its prior consent, and that no right is granted to disclose or to use any information in this document.

CUSTOMER DRAWING

REV.	DESCRIPTION	APPROVED BY	DATE	ECN NO.
A	RELEASE	Fido Weng	10/01/11'	
B	CHANGE DIM.	KU Chou	26/02/19'	
C	ADD PART NO.	KU Chou	23/04/19'	

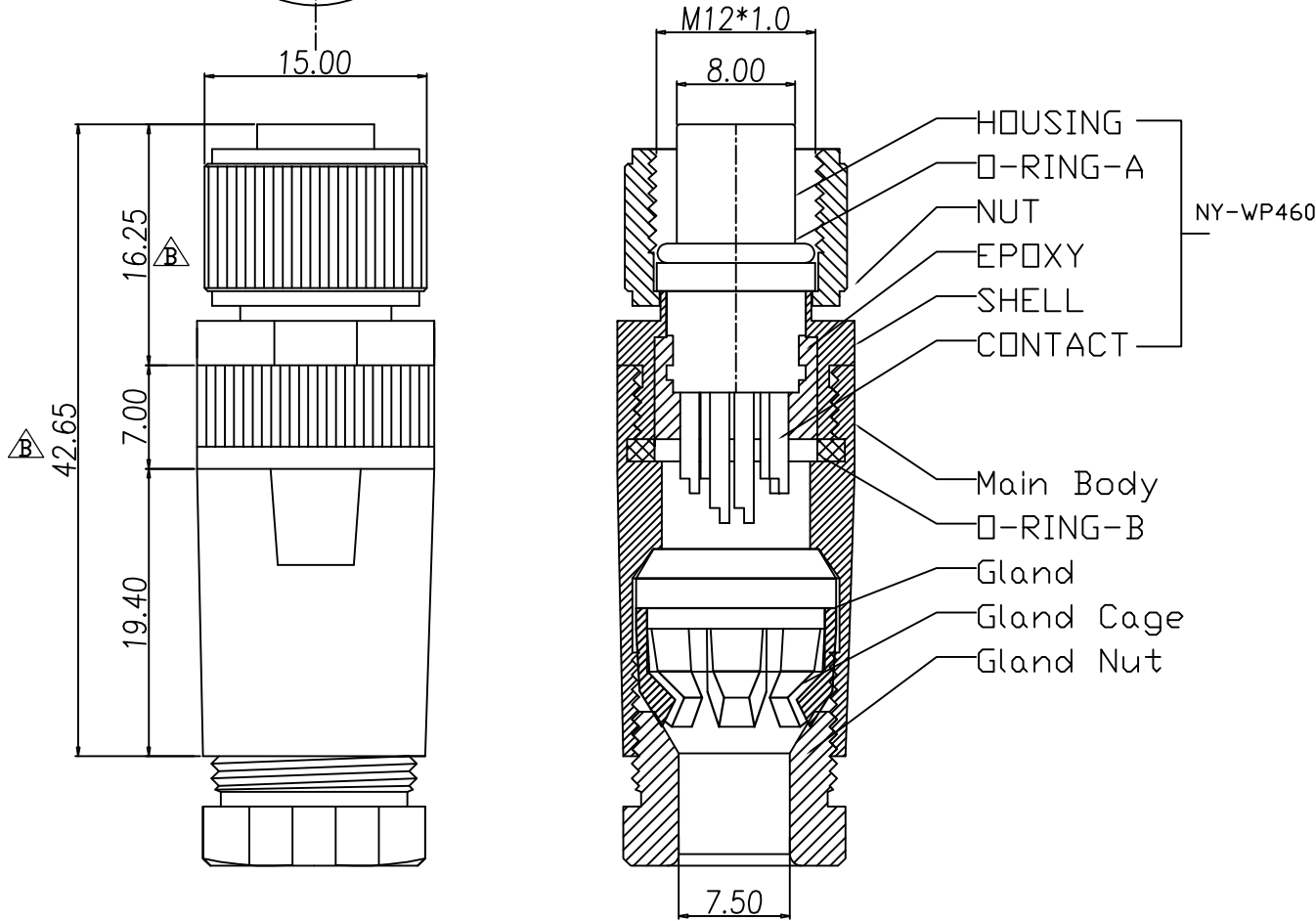
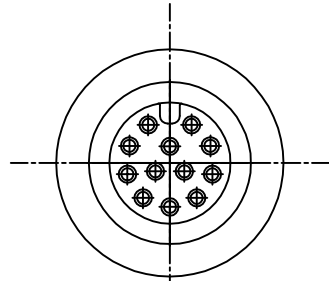


TABLE A A

WP-12F2-29-11	GOLD FLASH
WP-12F2-04	GOLD 10u"
PART NO	FINISH

1. MATERIAL :

- 1-1. NY-WP460 :
 - a. HOUSING : PBT UL94V-0 ; COLOR : BLACK.
 - b. CONTACT : BRASS
 - c. NUT : ALUMINUM ALLOY
 - d. SHELL : ALUMINUM ALLOY
 - e. O-RING : EPDM ; COLOR : BLACK
- 1-2. Main Body : ALUMINUM ALLOY
- 1-3. Gland : SILICONE COLOR : BLACK.
- 1-4. Gland Cage : POM ; COLOR : BLACK.
- 1-5. Gland Nut : ALUMINUM ALLOY

2. FINISH :

- 2-1. NY-WP460 :
 - a. CONTACT : SEE TABLE A UNDER PLATE : NICKEL.
 - b. NUT : SATING Ni PLATED.
 - c. SHELL : SATING Ni PLATED.
- 2-2. Main Body : SATING Ni PLATED.
- 2-3. Gland Nut : SATING Ni PLATED.

3. ELECTRICAL SPECIFICATION :

- 3-1. Rated current : 1.5A
- 3-2. Rated Voltage : 30V
- 3-3. Water proof : IPX7

4. Environmental :

- 4-1. Operation Temperature : -20 °C~85°C

DRAWN	Mark Kao	APP'D	KU Chou	UNIT	mm	TOLERANCE	TITLE			SHEET
CHK'D	Emily Suen			SCALE	1:1	.x ±0.20 .xx ±0.10 .xxx ±0.05 .xxxx ±0.03 ANGULA ±1°	M12 12PINK) A-coded Assembly type			1
							PART NO. SEE TABLE A			VERSION C

