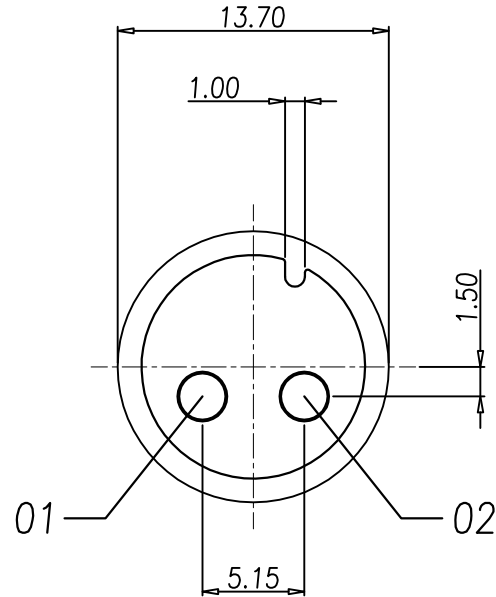
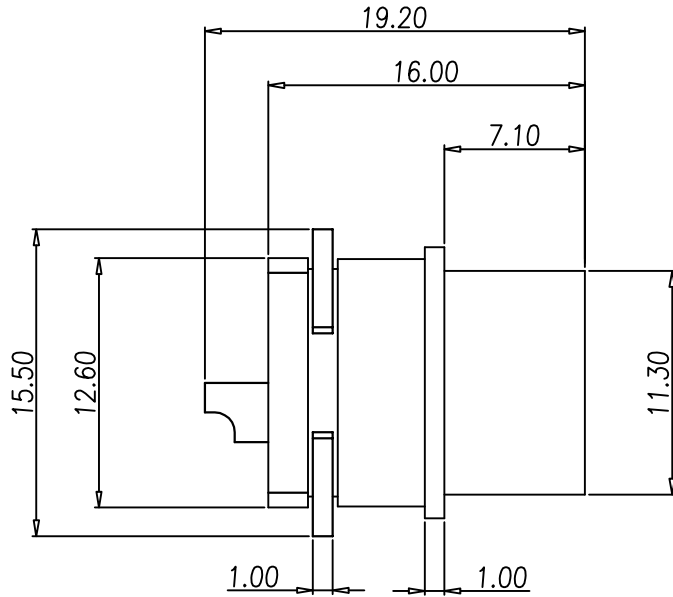


This document is the property of Nian-Yeong Corporation and is delivered on the express condition that it is not to be disclosed, reproduced or used, in whole or in part, for manufacture or sale by anyone other than Nian-Yeong Corporation without its prior consent, and that no right is granted to disclose or to use any information in this document.

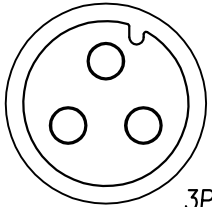
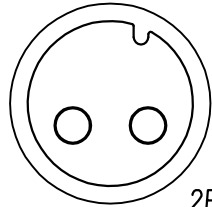
CUSTOMER DRAWING

REV.	DESCRIPTION	APPROVED BY	DATE	ECN NO.
A	RELEASE	Fido Weng		
B				
C				



1. MATERIAL :
  - 1-1. HOUSING : PBT UL94V-0 ; COLOR : BLACK
  - 1-2. CONTACT : BRASS
  - 1-3. C-RING : BRASS
2. FINISH :
  - 2-1. CONTACT : GOLD FLASH MICRO INCHES MIN.  
UNDER PLATE : NICKEL
  - 2-2. C-RING : NICKEL PLATED.
3. ELECTRICAL SPECIFICATION :
  - 3-1. Rated current : 20A
  - 3-2. Rated Voltage : 250V
4. Environmental :
  - 4-1. Operation Temperature : -20°C~85°C

TABLE A

	
3PIN	2PIN
NY-WP667-11	

DRAWN	APP'D	UNIT	mm	TOLERANCE	TITLE		SHEET
Ku Chou	Fido Weng	mm	1:1	.x ±0.20 .xx ±0.10 .xxx ±0.05 .xxxx ±0.03 ANGULA ±1°	M15 (F) 線端埠式膠壳+PIN		1
CHK'D	Emily Suen	SCALE	1:1		PART NO.	SEE TABLE A	VERSION
					DWG NO.	QC6854	A

