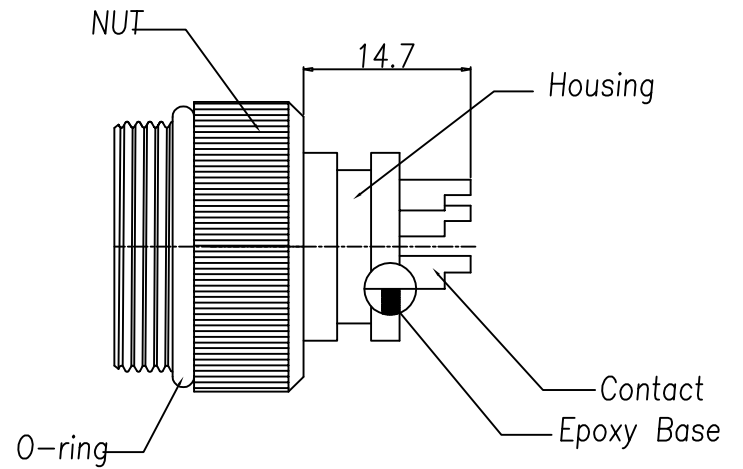
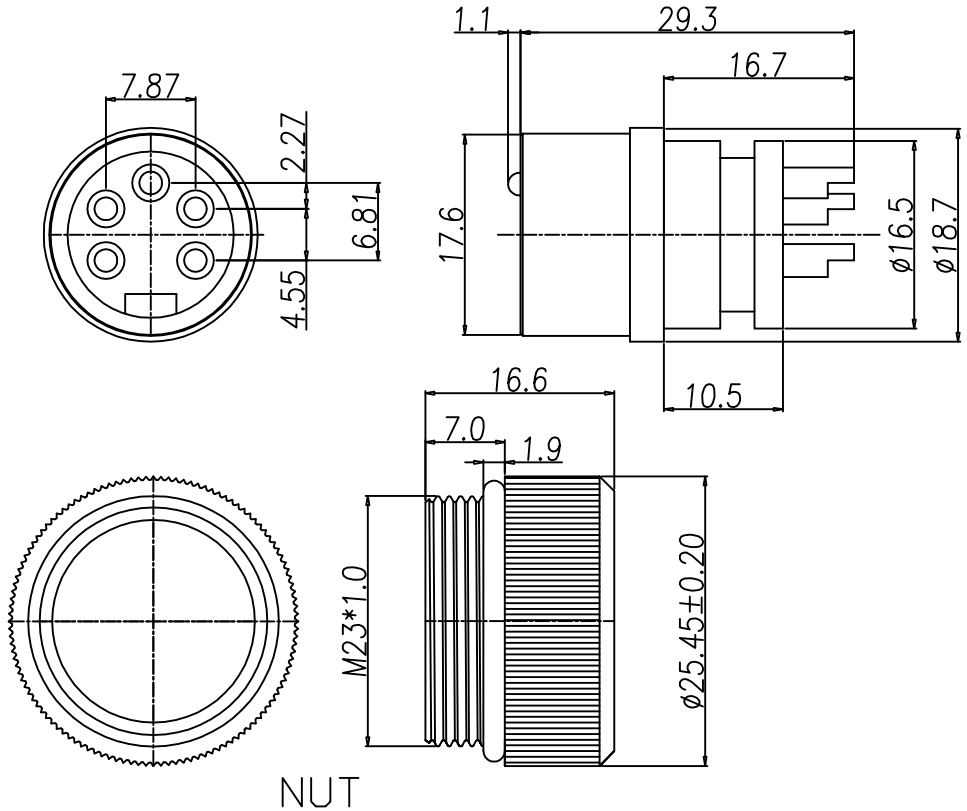


This document is the property of Nian-Yeong Corporation and is delivered on the express condition that it is not to be disclosed, reproduced or used, in whole or in part, for manufacture or sale by anyone other than Nian-Yeong Corporation without its prior consent, and that no right is granted to disclose or to use any information in this document.

CUSTOMER DRAWING

REV.	DESCRIPTION	APPROVED BY	DATE	ECN NO.
A	RELEASE	Fido Weng	03/05/11*	
B	新增料號	KU	11/01/19*	
C				



1. MATERIAL :
 - 1-1. HOUSING : PBT UL94V-0 ; COLOR : YELLOW.
 - 1-2. CONTACT : BRASS
 - 1-3. NUT : BRASS
 - 1-4. O-RING : NBR ; COLOR : BLACK
2. FINISH :
 - 2-1. CONTACT : 30 MICRO INCHES MIN. GOLD PLATED
UNDER PLATE : NICKEL
 - 2-2. NUT : NICKEL PLATED
3. ELECTRICAL SPECIFICATION :
 - 3-1. Rated current : 20A
 - 3-2. Rated voltage : 250V
 - 3-3. Water proof : IPX8
4. Environmental :
 - 4-1. Operation Temperature : -20℃~85℃

TABLE A

	LONG PIN	LONG PIN	LONG PIN
WP-03M2-104-11	WP-04M2-168-11	WP-05M2-54	

DRAWN	Ku Chou	APPEND	Emily Suen	UNIT	mm	TOLERANCE		NIAN YEONG ENTERPRISE 年永實業有限公司	TITLE	WP M23 (M) 焊線式			SHEET	B
CHK'D	Emily Suen			SCALE	1:1	.x ±0.20 .xx ±0.10 .xxx ±0.05 .xxxx ±0.03 ANGULA ±1°			PART NO.	SEE TABLE A	DWG NO.	QC5333	VERSION	