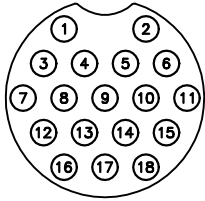


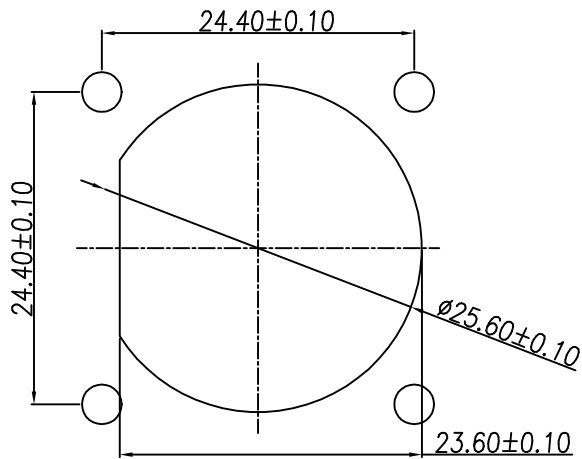
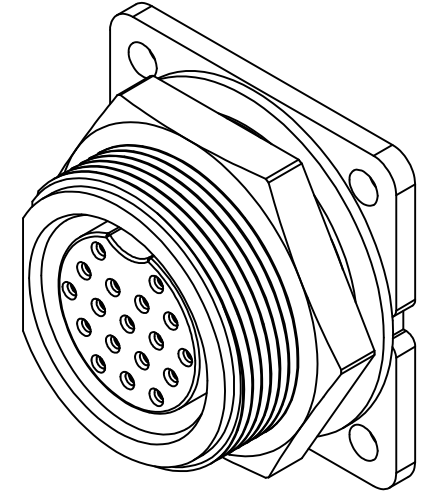
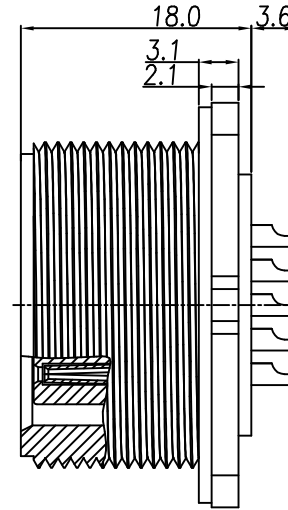
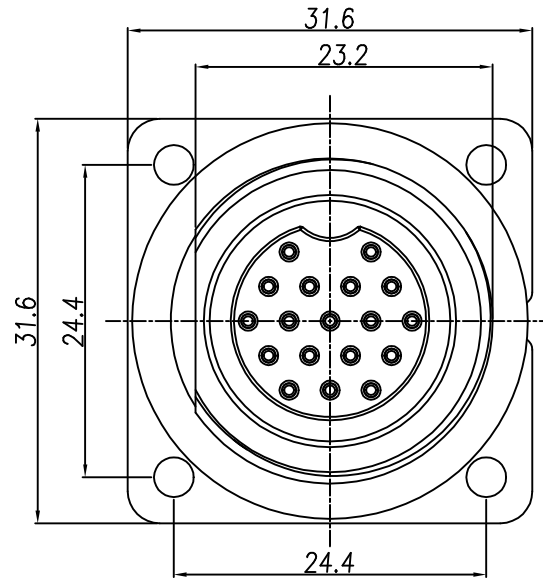
This document is the property of Nian-Yeong Corporation and is delivered on the express condition that it is not to be disclosed, reproduced or used, in whole or in part, for manufacture or sale by anyone other than Nian-Yeong Corporation without its prior consent, and that no right is granted to disclose or to use any information in this document.

CUSTOMER DRAWING

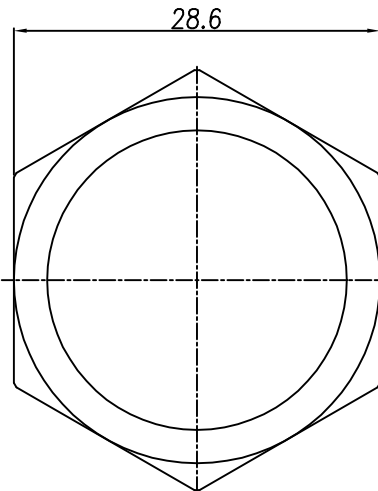
REV.	DESCRIPTION	APPROVED BY	DATE	ECN NO.
A	RELEASE	Yeh Chou	2017/09/07	
B	增加磁環圖 & 修正墊圈材質與電壓規格	Ku Chou	02/05/18'	
C				



PIN CONFIGURATION



RECOMMEND PANEL HOLE



Hex Nut



- MATERIAL :
 - 1-1. HOUSING : PA66
 - 1-2. CONTACT : BRASS
 - 1-3. GASKET : SILICONE
 - 1-4. HEX NUT : PA66
- FINISH :
 - 2-1. CONTACT : GOLD FLASH PLATED
- ELECTRICAL SPECIFICATION :
 - 3-1. Rated current : 5A
 - 3-2. Rated Voltage : 300V
- Environmental :
 - 4-1. Operation Temperature : -40°C~105°C

DRAWN	Yeh Chou	APP'D	KU Chou	UNIT	mm	TOLERANCE		TITLE	D SIZE 18P (F) 螺牙杯口焊線式 (方型端板)			SHEET
CHK'D	KU Chou			SCALE	1:1	.x ±0.20 .xx ±0.10 .xxx ±0.05 .xxxx ±0.03 ANGULA ±1°		PART NO.	WP-18F2-10-11	DWG NO.	QC7896	VERSION
								NIAN YEONG ENTERPRISE				
								年永實業有限公司			B	