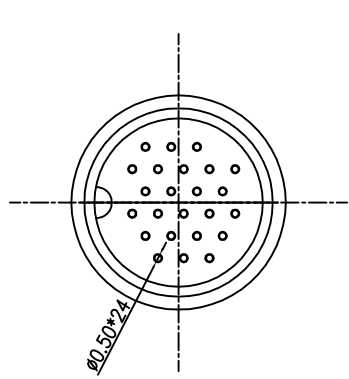


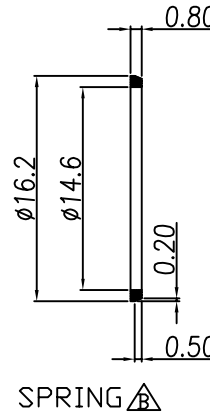
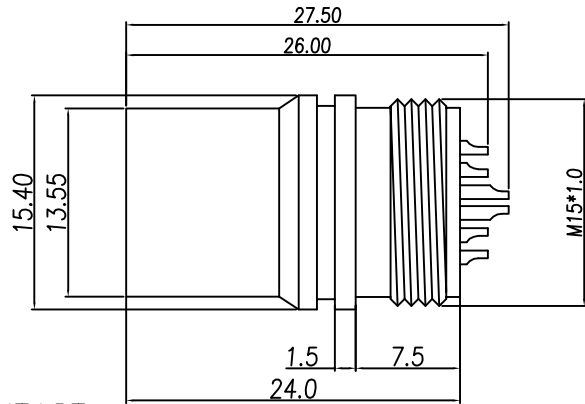
This document is the property of Nian-Yeong Corporation and is delivered on the express condition that it is not to be disclosed, reproduced or used, in whole or in part, for manufacture or sale by anyone other than Nian-Yeong Corporation without its prior consent, and that no right is granted to disclose or to use any information in this document.

CUSTOMER DRAWING

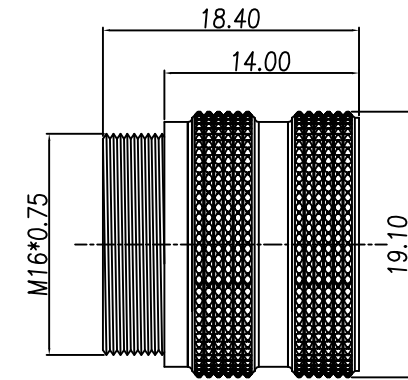
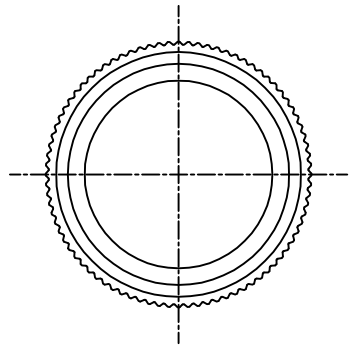
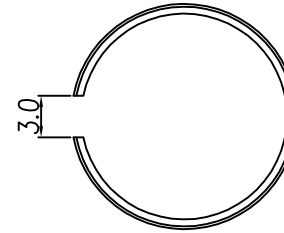
REV.	DESCRIPTION	APPROVED BY	DATE	ECN NO.
A	RELEASE	LEO	04/12/18*	
B	設變彈圈結構	Ku Chou	09/05/19*	
C				



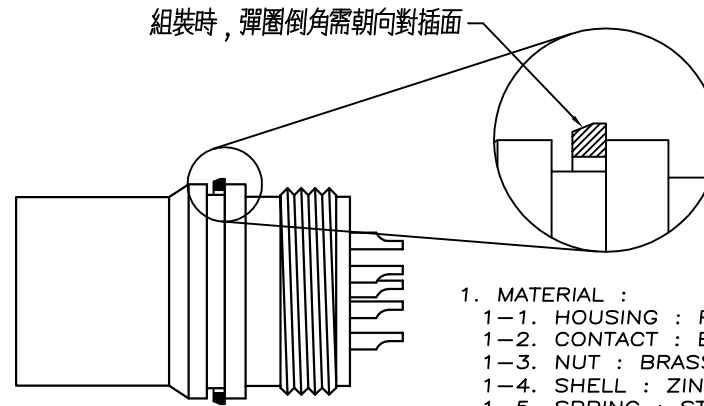
HOUSING & SHELL & CONTACT



SPRING A



NUT



ASS'Y

- MATERIAL :
 - HOUSING : PA66 ; COLOR : BLACK.
 - CONTACT : BRASS.
 - NUT : BRASS.
 - SHELL : ZINC ALLOY
 - SPRING : STAINLESS STEEL.
- FINISH :
 - CONTACT : GOLD FLASH MICRO INCHES MIN.
 - NUT : NICKEL PLATED OVER ALL
 - SHELL : NICKEL PLATED OVER ALL
- ELECTRICAL SPECIFICATION :
 - Rated current : 1A
 - Rated voltage : 60V
 - Water proof : IP67
- Environmental :
 - Operation Temperature : -20°C~85°C

DRAWN	LEO	APPEND	Emily Suen	UNIT	mm	TOLERANCE			TITLE	防水 DIN 24PIN(M) 線端成型式(端子表金)			SHEET	
CHK'D	Emily Suen			SCALE	1:1	.x ±0.20 .xx ±0.10 .xxx ±0.05 .xxxx ±0.03 ANGULA ±1°			PART NO.	DI-24M2-01-11	DWG NO.	QC8831	VERSION	

NIAN YEONG ENTERPRISE
年永實業有限公司