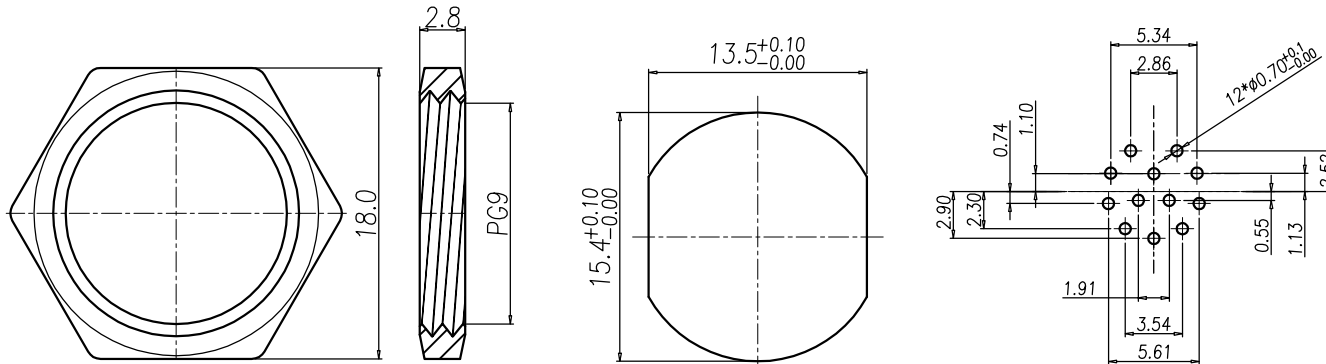
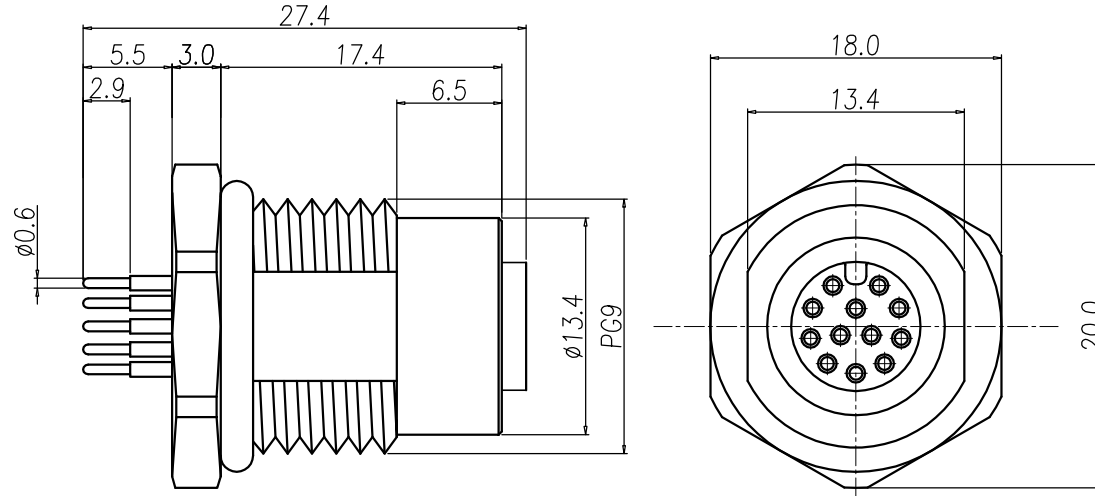


This document is the property of Nian-Yeong Corporation and is delivered on the express condition that it is not to be disclosed, reproduced or used, in whole or in part, for manufacture or sale by anyone other than Nian-Yeong Corporation without its prior consent, and that no right is granted to disclose or to use any information in this document.

CUSTOMER DRAWING

REV.	DESCRIPTION	APPROVED BY	DATE	ECN NO.
A	RELEASE	Fido Weng	04/03/10*	
B				
C				



NUT

RECOMMEND PANEL CUT-OUT RECOMMEND P.C.B LAYOUT

- MATERIAL :
 - HOUSING : PBT UL94V-0 ; COLOR : BLACK
 - CONTACT : BRASS
 - NUT : BRASS
 - SHELL : BRASS
 - O-RING : EPDM ; COLOR : BLACK
- FINISH :
 - CONTACT : 10 MICRO INCHES MIN. GOLD PLATED
UNDER PLATE : NICKEL
 - NUT : NICKEL PLATED
 - SHELL : NICKEL PLATED
- ELECTRICAL SPECIFICATION :
 - Rated current : 1.5A
 - Rated Voltage : 30V
 - Water proof : IPX7
- Environmental :
 - Operation Temperature : -40°C~85°C

DRAWN	Ku Chou	APPEND	Fido Weng	UNIT	mm	TOLERANCE		TITLE	防水環 M12 12PIN A-Code (F) 插針 Pg9 插件式			SHEET		
CHKD	Emily Suen			SCALE	1:1	.x ±0.20 .xx ±0.10 .xxx ±0.05 .xxxx ±0.03 ANGULA ±1°			NIAN YEONG ENTERPRISE 年永實業有限公司	PART NO.	WP-12F2-15-11	DWG NO.	QC7813	VERSION A