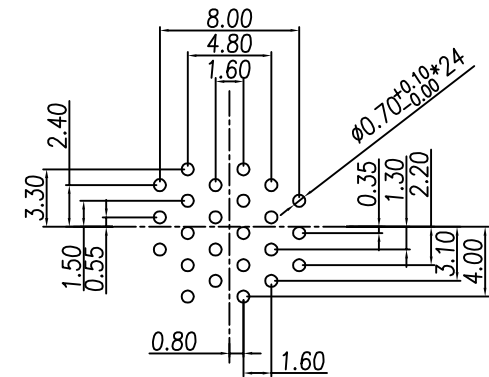
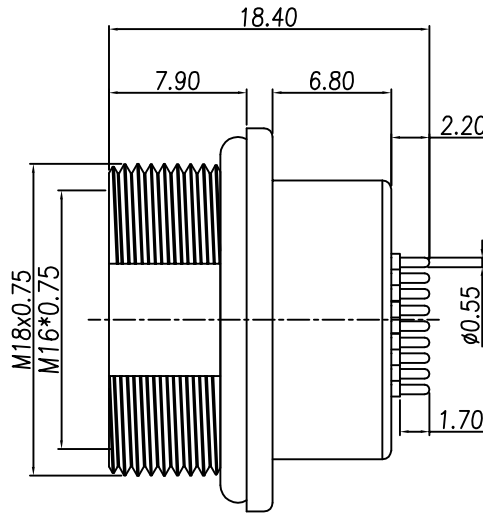
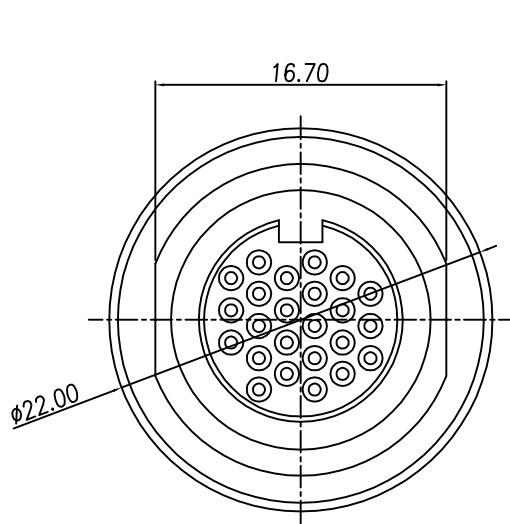


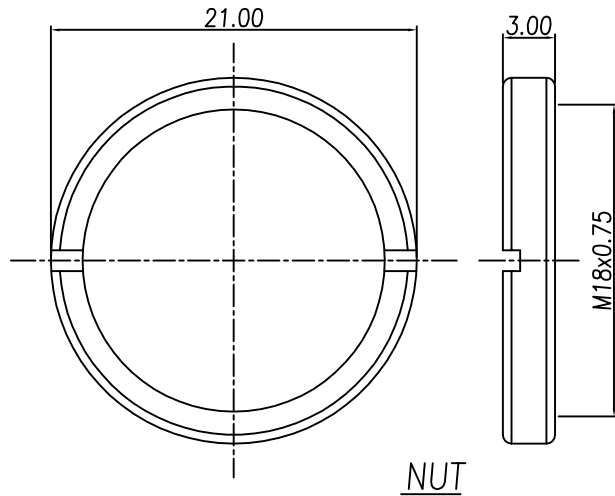
This document is the property of Nian-Yeong Corporation and is delivered on the express condition that it is not to be disclosed, reproduced or used, in whole or in part, for manufacture or sale by anyone other than Nian-Yeong Corporation without its prior consent, and that no right is granted to disclose or to use any information in this document.

CUSTOMER DRAWING

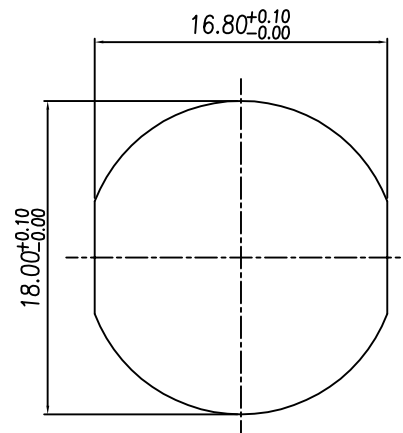
REV.	DESCRIPTION	APPROVED BY	DATE	ECN NO.
A	RELEASE	LED	27/11/18*	
B				
C				



RECOMMEND P.C.B LAYOUT



NUT



RECOMMEND PANEL CUT-OUT

- MATERIAL :
 - HOUSING : PA66 ; COLOR : BLACK.
 - CONTACT : BRASS
 - NUT : BRASS
 - O-RING : EPDM ; COLOR : BLACK
 - SHELL : BRASS.
- FINISH :
 - CONTACT : GOLD FLASH MICRO INCHES MIN. UNDER PLATE : NICKEL
 - NUT : NICKEL PLATED
 - SHELL : NICKEL PLATED
- ELECTRICAL SPECIFICATION :
 - Rated current : 1A
 - Rated Voltage : 60V
 - Water proof: IP67
- Environmental :
 - Operation Temperature : -40°C~85°C

DRAWN	LED	APP'D	Ku Chou	UNIT	mm	TOLERANCE		TITLE	DIN 24PIN (F) 前鑽M18 DIP(端子表金)			SHEET
CHK'D	Emily Suen			SCALE	1:1	.x ±0.20 .xx ±0.10 .xxx ±0.05 .xxxx ±0.03 ANGULA ±1°		PART NO.	DI-24F3-01-11	DWG NO.	QC8800	VERSION
								年永實業有限公司				A