

This document is the property of Nian-Yeong Corporation and is delivered on the express condition that it is not to be disclosed, reproduced or used, in whole or in part, for manufacture or sale by anyone other than Nian-Yeong Corporation without its prior consent, and that no right is granted to disclose or to use any information in this document.

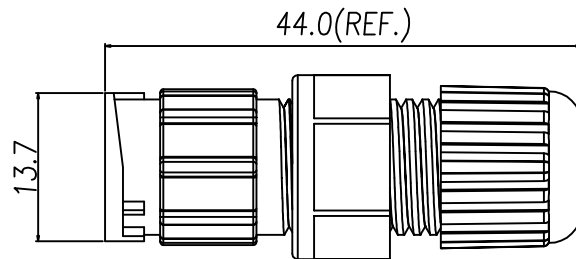
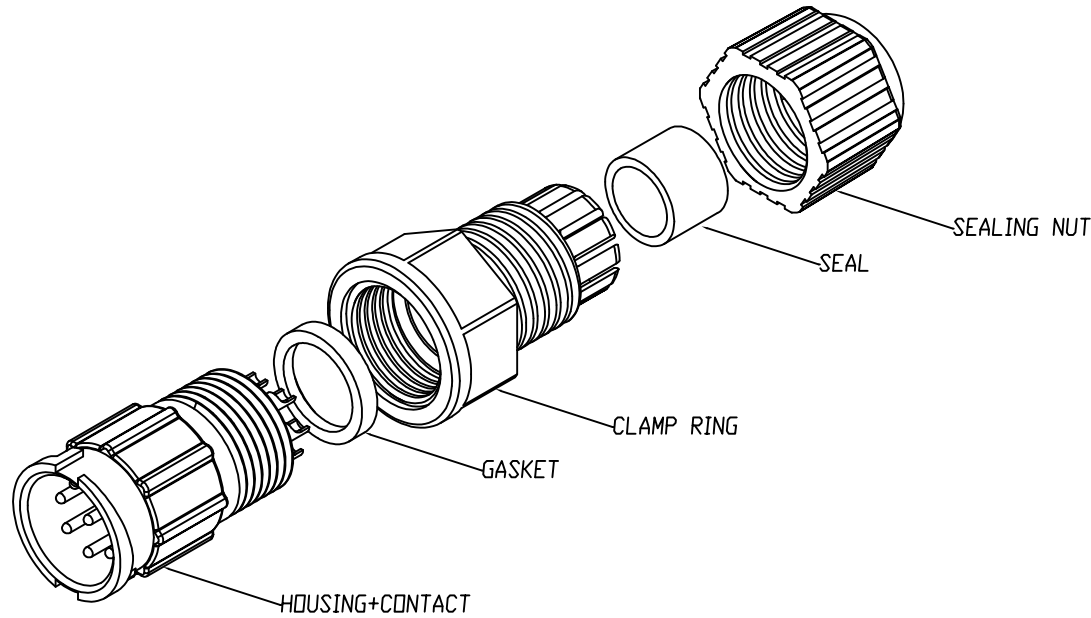
CUSTOMER DRAWING

REV.	DESCRIPTION	APPROVED BY	DATE	ECN NO.
A	RELEASE	Ku Chou	20/07/18'	
B	CHANGE CLAMP RING MATERIAL	Ku Chou	31/10/18'	
C				

TABLE A

6 PIN WP-06M2-64-11	7 PIN WP-07M2-21-11	8 PIN WP-08M2-79-11	
2 PIN WP-02M2-56-11	3 PIN WP-03M2-96-11	4 PIN	5 PIN

PIN ASSIGNMENTS  
FRONT VIEW



- MATERIAL :
  - 1-1. HOUSING : PA66
  - 1-2. CONTACT : BRASS
  - 1-3. GASKET : SILICONE
  - 1-4. CLAMP RING : PA66
  - 1-5. SEAL : SILICONE
  - CABLE OD  $\phi$ 4.5mm ~6.5mm
  - 1-6. SEALING NUT : PA66
- FINISH :
  - 2-1. CONTACT : GOLD FLASH PLATED.
- ELECTRICAL SPECIFICATION :
  - 3-1. Rated current : 5A
  - 3-2. Rated voltage : 250V
  - 3-3. Water proof : IP67
- Environmental :
  - 4-1. Operation Temperature :  $-40^{\circ}\text{C} \sim 105^{\circ}\text{C}$

DRAWN	APP'D	UNIT	TOLERANCE	TITLE	SHEET
Emily Suen	Ku Chou	mm	.x $\pm 0.20$ .xx $\pm 0.10$ .xxx $\pm 0.05$ .xxxx $\pm 0.03$ ANGULA $\pm 1^{\circ}$	WP (M) (LOCK) B SIZE ASSEMBLY TYPE(5A)	
CHK'D		SCALE		PART NO.	VERSION
Ku Chou		1:1		SEE TABLE A	B
				DWG NO.	
				QC8640	

NIAN YEONG ENTERPRISE  
年永實業有限公司