

This document is the property of Nian-Yeong Corporation and is delivered on the express condition that it is not to be disclosed, reproduced or used, in whole or in part, for manufacture or sale by anyone other than Nian-Yeong Corporation without its prior consent, and that no right is granted to disclose or to use any information in this document.

CUSTOMER DRAWING

REV.	DESCRIPTION	APPROVED BY	DATE	ECN NO.
A	RELEASE	Ku Chou	19/07/18'	
B	CHANGE MATERIAL	Ku Chou	17/08/18'	
C	變更材質	Emily Suen	03/10/18'	

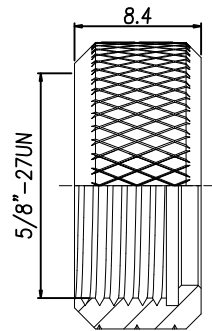
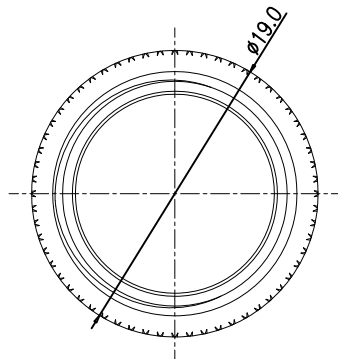
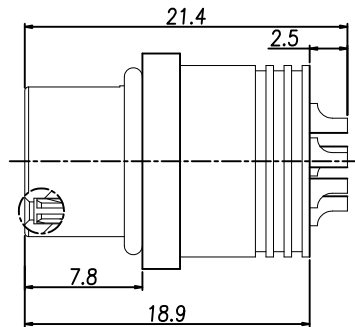
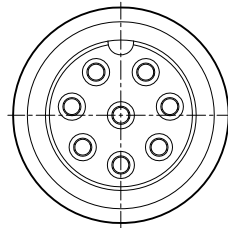
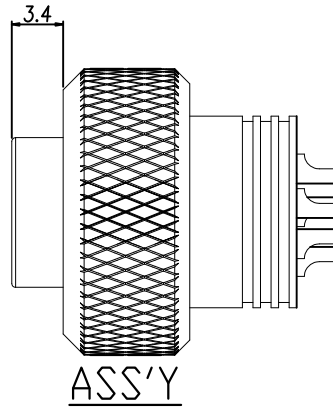
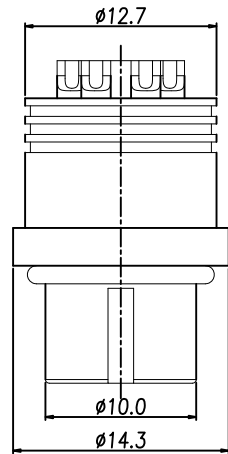


TABLE A

7 PIN	8 PIN	
WP-08F2-101-11		
4 PIN	5 PIN	6 PIN

1. MATERIAL :
  - △1-1. HOUSING : PBT
  - 1-2. CONTACT : BRASS
  - △1-3. O-RING : EPDM
  - 1-4. SHELL : BRASS
  - 1-5. SCREW NUT : BRASS
2. FINISH :
  - 2-1. CONTACT : GOLD FLASH PLATED.  
UNDER PLATE : NICKEL
  - 2-2. SHELL: NICKEL PLATED.
  - 2-3. SCREW NUT : NICKEL PLATED.
3. ELECTRICAL SPECIFICATION :
  - 3-1. Rated current : 5A
  - 3-2. Rated voltage : 250V
  - 3-3. Water proof : IP67
4. Environmental :
  - 4-1. Operation Temperature : -20℃~80℃

DRAWN	APP'D	UNIT	TOLERANCE	TITLE	SHEET
Emily Suen	Ku Chou	mm	.x ±0.20 .xx ±0.10 .xxx ±0.05 .xxxx ±0.03	WP (F) B SIZE (SHIELDED SCREW/SOLDER TYPE)-5A	1
CHK'D		SCALE	ANGULA ±1°	PART NO.	VERSION
Ku Chou		1:1		SEE TABLE A	C

