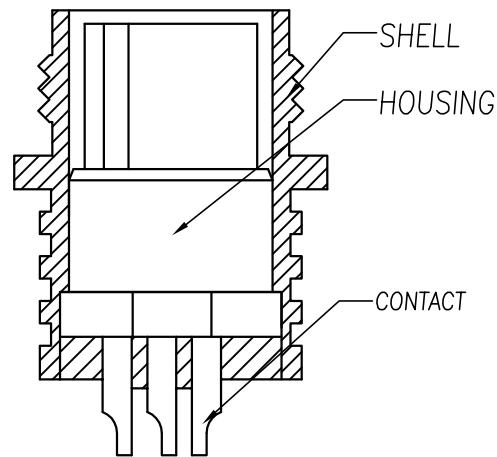
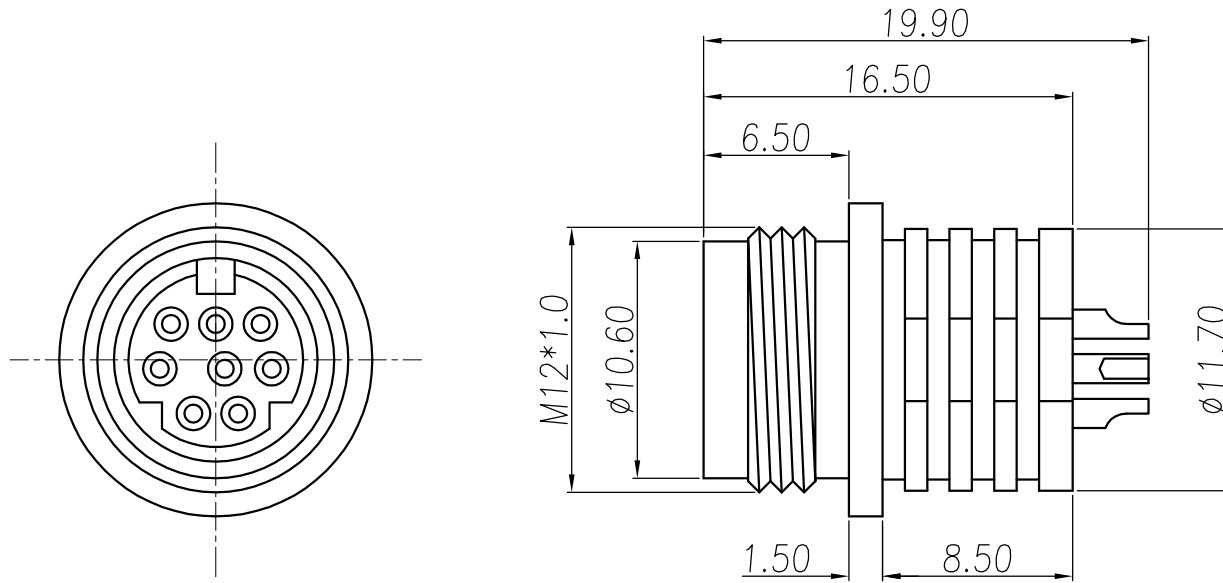


This document is the property of Nian-Yeong Corporation and is delivered on the express condition that it is not to be disclosed, reproduced or used, in whole or in part, for manufacture or sale by anyone other than Nian-Yeong Corporation without its prior consent, and that no right is granted to disclose or to use any information in this document.

CUSTOMER DRAWING

REV.	DESCRIPTION	APPVL. BY	DATE	ECN NO.
A	RELEASE	Fido Weng	16/07/12'	
B	ADD FINISH DESCRIPTION	Ku Chou	20/07/18'	
C				



1. MATERIAL :
 - 1-1. HOUSING : PBT UL94V-0 ; COLOR : BLACK
 - 1-2. CONTACT : BRASS
 - 1-3. SHELL : BRASS
2. FINISH :
 - 2-1. CONTACT : GOLD FLASH.
UNDER PLATE : NICKEL
 - B 2-2. SHELL : NICKEL PLATED.
3. ELECTRICAL SPECIFICATION :
 - 3-1. Rated current : 2A
 - 3-2. Rated Voltage : 12V
 - 3-3. Water proof: IPX7
4. Environmental :
 - 4-1. Operation Temperature : -20℃~85℃

TABLE A

WP-03F2-62-11	WP-04F2-133-11
WP-05F2-103-11	WP-06F2-36-11
WP-07F2-05-11	WP-08F2-64-11

DRAW	Hulk Zhang	APPVL	Emily Suen	UNIT	mm	TOLERANCE	.x ±0.20 .xx ±0.10 .xxx ±0.05 .xxxx ±0.03 ANGULA ±1°	TITLE	防水MINI DIN (F) 線端插接式			SHEET	1
CHECK	Emily Suen			SCALE	1:1			PART NO.	SEE TABLE A	DWG NO.	QC7268	VERSION	B
				NIAN YEONG ENTERPRISE 年永實業有限公司									