

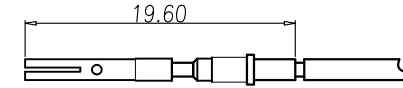
This document is the property of Nian-Yeong Corporation and is delivered on the express condition that it is not to be disclosed, reproduced or used, in whole or in part, for manufacture or sale by anyone other than Nian-Yeong Corporation without its prior consent, and that no right is granted to disclose or to use any information in this document.

# CUSTOMER DRAWING

REV.	DESCRIPTION	APPROVED BY	DATE	ECN NO.
A	RELEASE	Yeh Chou	01/06/16'	
B	ADD TABLE A	Yeh Chou	25/05/18'	
C				

TABLE A

WP-04F2-185-11	WP-05F2-119-11
WP-02F2-47-11	WP-03F2-87-11



## CONTACT ASS'Y FOR 24AWG~28AWG

### 1. MATERIAL :

#### 1-1. MATERIAL A :

- a. HOUSING : PBT UL94V-0 ; COLOR : BLACK.
- b. CONTACT : BRASS
- c. NUT : ALUMINIUM ALLOY
- d. SHELL : ALUMINIUM ALLOY
- e. O-RING A : EPDM ; COLOR : BLACK
- f. BACK HOUSING : PBT UL94V-0 ; COLOR : BLACK.
- g. SPRING : BERYLLIUM COPPER

#### 1-2. MAIN BODY : ALUMINIUM ALLOY

#### 1-3. GLAND : SILICONE ; COLOR : BLACK.

#### 1-4. GLAND CAGE : POM ; COLOR : BLACK.

#### 1-5. GLAND NUT : ALUMINIUM ALLOY

#### 1-6. O-RING B : SILICONE ; COLOR : BLACK

### 2. FINISH :

#### 2-1. MATERIAL A :

- a. CONTACT : GOLD FLASH MICRO INCHES MIN. UNDER PLATE : NICKEL.
- b. NUT : SATIN NICKEL PLATED.
- c. SHELL : SATIN NICKEL PLATED.
- d. SPRING : NICKEL PLATED.

#### 2-2. MAIN BODY : SATIN NICKEL PLATED.

#### 2-3. GLAND NUT : SATIN NICKEL PLATED.

### 3. ELECTRICAL SPECIFICATION :

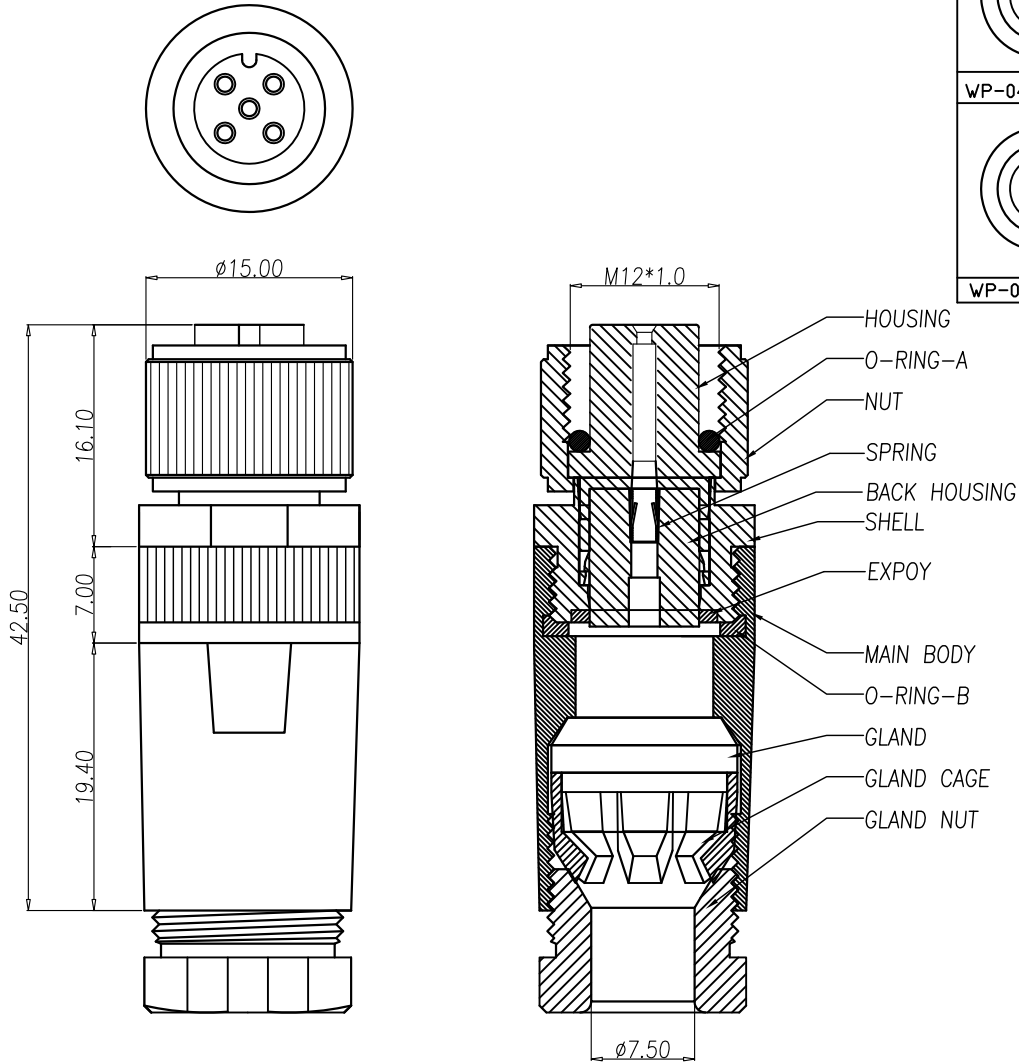
#### 3-1. Rated current : 4A

#### 3-2. Rated voltage : 2~4PIN 250V;5PIN 60V

#### 3-3. Water proof : IPX7

### 4. Environmental :

#### 4-1. Operation Temperature : -20°C~85°C

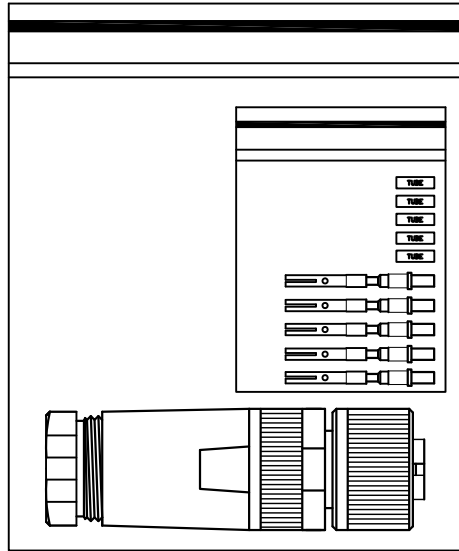


DRAWN	Emily Suen	APP'D	Ku Chou	UNIT	mm	TOLERANCE				TITLE	M12 (F) A-CODE CRIMP PIN TYPE			SHEET
CHK'D	Ku Chou			SCALE	1:1	.x ±0.20 .xx ±0.10 .xxx ±0.05 .xxxx ±0.03 ANGULA ±1°				PART NO.	SEE TABLE A	DWG NO.	QC7490	VERSION
<p style="text-align: center;">NIAN YEONG ENTERPRISE 年永實業有限公司</p>														

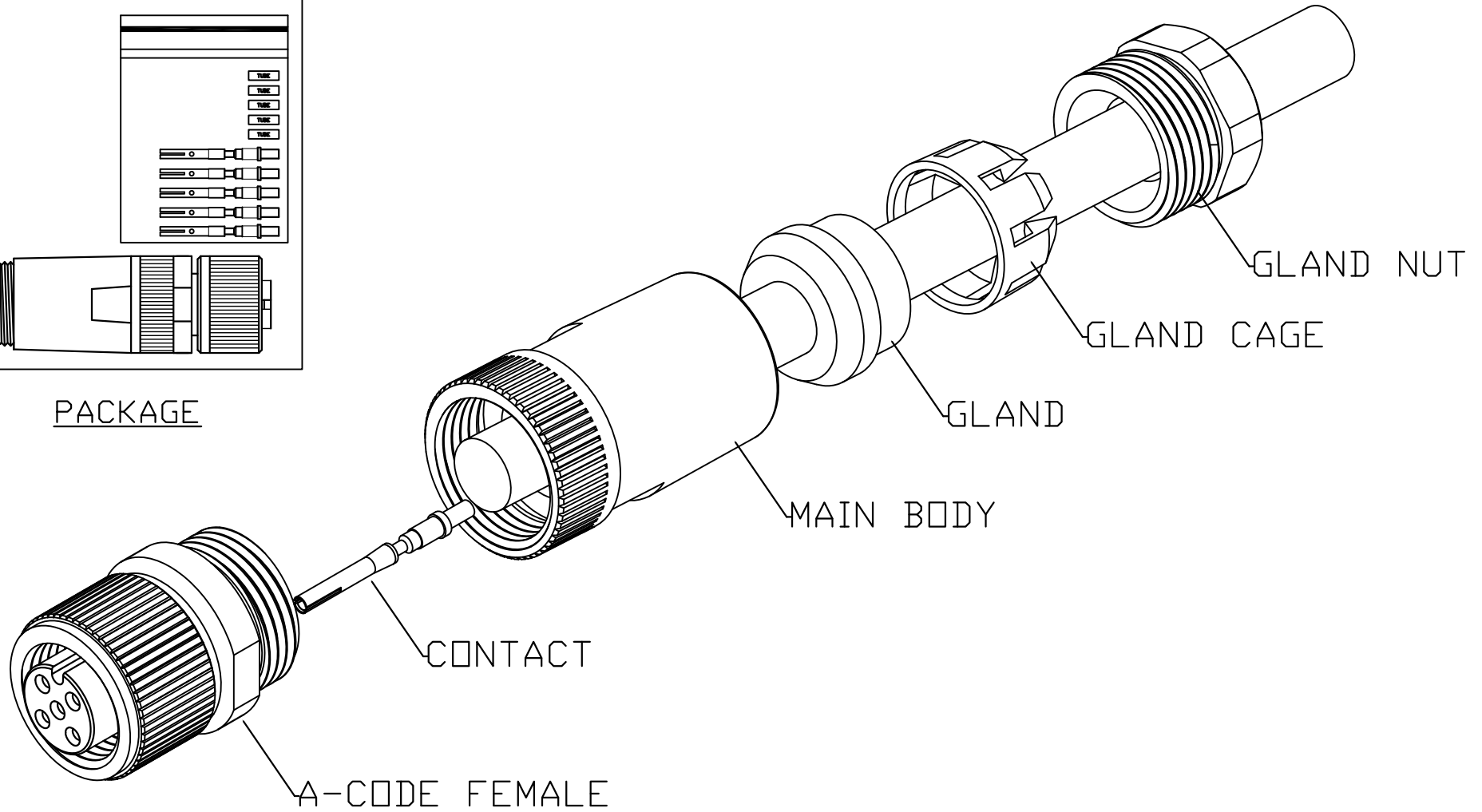
This document is the property of Nian-Yeong Corporation and is delivered on the express condition that it is not to be disclosed, reproduced or used, in whole or in part, for manufacture or sale by anyone other than Nian-Yeong Corporation without its prior consent, and that no right is granted to disclose or to use any information in this document.

CUSTOMER DRAWING

REV.	DESCRIPTION	APPROVED BY	DATE	ECN NO.
A	RELEASE	Fido Weng	2016/06/01	
B	ADD TABLE A	Ku Chou	25/05/18'	
C				



PACKAGE



DRAWN	Emily Suen	APP'D	Ku Chou	UNIT	mm	TOLERANCE		TITLE	M12 (F) A-CODE CRIMP PIN TYPE			SHEET	2
CHK'D	Ku Chou			SCALE	1:1	.x ±0.20 .xx ±0.10 .xxx ±0.05 .xxxx ±0.03 ANGULA ±1°		NIAN YEONG ENTERPRISE 年永實業有限公司	PART NO.	SEE TABLE A	DWG NO.	QC7490	VERSION