

This document is the property of Nian-Yeong Corporation and is delivered on the express condition that it is not to be disclosed, reproduced or used, in whole or in part, for manufacture or sale by anyone other than Nian-Yeong Corporation without its prior consent, and that no right is granted to disclose or to use any information in this document.

CUSTOMER DRAWING

REV.	DESCRIPTION	APPROVED BY	DATE	ECN NO.
A	RELEASE	Fido Weng	10/01/11*	
B	ADD TABLE A	Fido Weng	25/05/18*	
C				

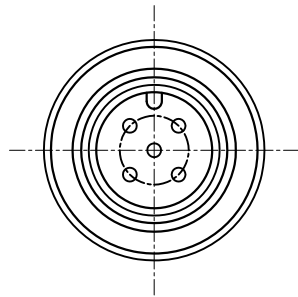
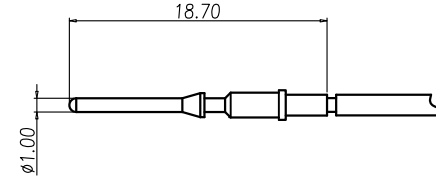
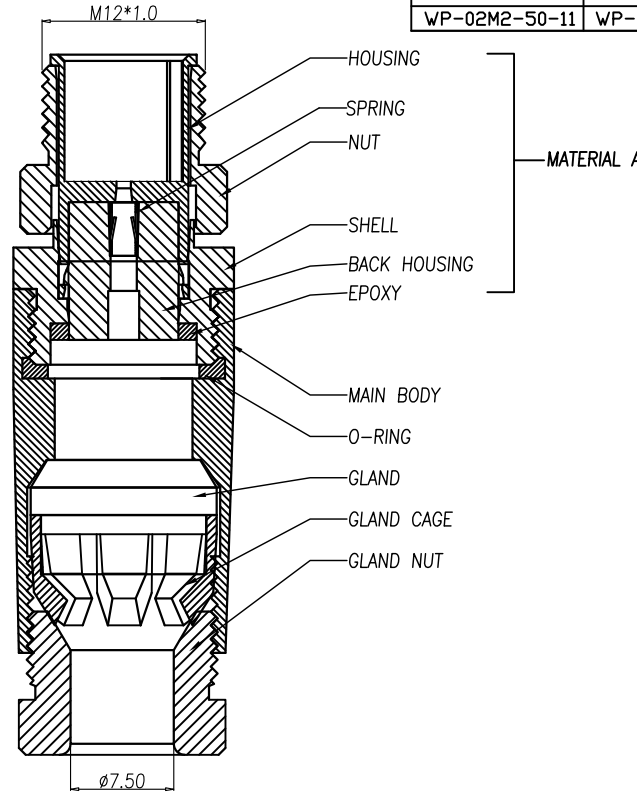
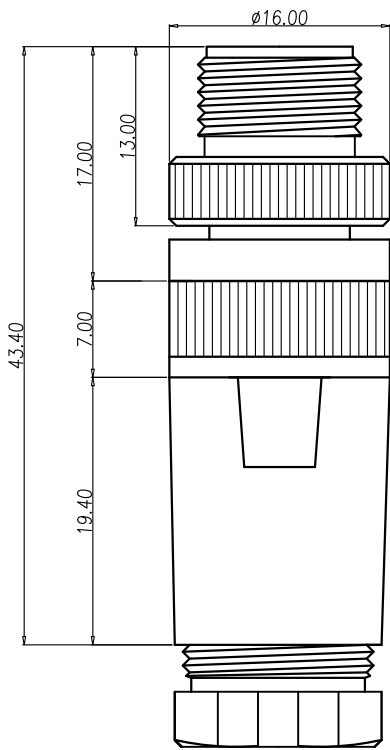


TABLE A

WP-04M2-154-11	WP-05M2-110-11
WP-02M2-50-11	WP-03M2-85-11



CONTACT ASS'Y FOR 24AWG~28AWG



1. MATERIAL :

1-1. MATERIAL A :

- a. HOUSING : PBT UL94V-0 ; COLOR : BLACK.
- b. CONTACT : BRASS
- c. NUT : ALUMINIUM ALLOY
- d. SHELL : ALUMINIUM ALLOY
- e. BACK HOUSING : PBT UL94V-0 ; COLOR : BLACK.
- f. SPRING : BERYLLIUM COPPER

1-2. MAIN BODY : ALUMINIUM ALLOY

- 1-3. GLAND : SILICONE ; COLOR : BLACK.
- 1-4. GLAND CAGE : POM ; COLOR : BLACK.
- 1-5. GLAND NUT : ALUMINIUM ALLOY
- 1-6. O-RING : SILICONE ; COLOR : BLACK

2. FINISH :

2-1. MATERIAL A :

- a. CONTACT : GOLD FLASH MICRO INCHES MIN. UNDER PLATE : NICKEL.
- b. NUT : SATIN NICKEL PLATED.
- c. SHELL : SATIN NICKEL PLATED.
- d. SPRING : NICKEL PLATED.

2-2. MAIN BODY : SATIN NICKEL PLATED.

2-3. GLAND NUT : SATIN NICKEL PLATED.

3. ELECTRICAL SPECIFICATION :

- 3-1. Rated current : 4A
- 3-2. Rated voltage : 2~4PIN 250V;5PIN 60V
- 3-3. Water proof : IPX7

4. Environmental :

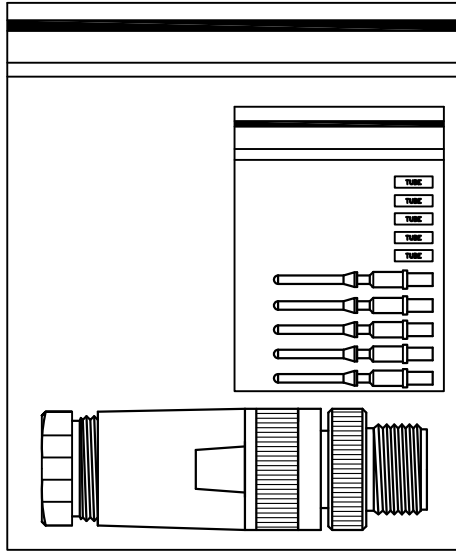
- 4-1. Operation Temperature : -20℃~85℃

DRAWN	Emily Suen	APP'D	Ku Chou	UNIT	mm	TOLERANCE		TITLE	M12 (M) A-CODE CRIMP PIN TYPE			SHEET
CHK'D	Ku Chou			SCALE	1:1	.x ±0.20 .xx ±0.10 .xxx ±0.05 .xxxx ±0.03 ANGULA ±1°		PART NO.	SEE TABLE A	DWG NO.	QC7499	VERSION
								年永實業有限公司				1/2
												B

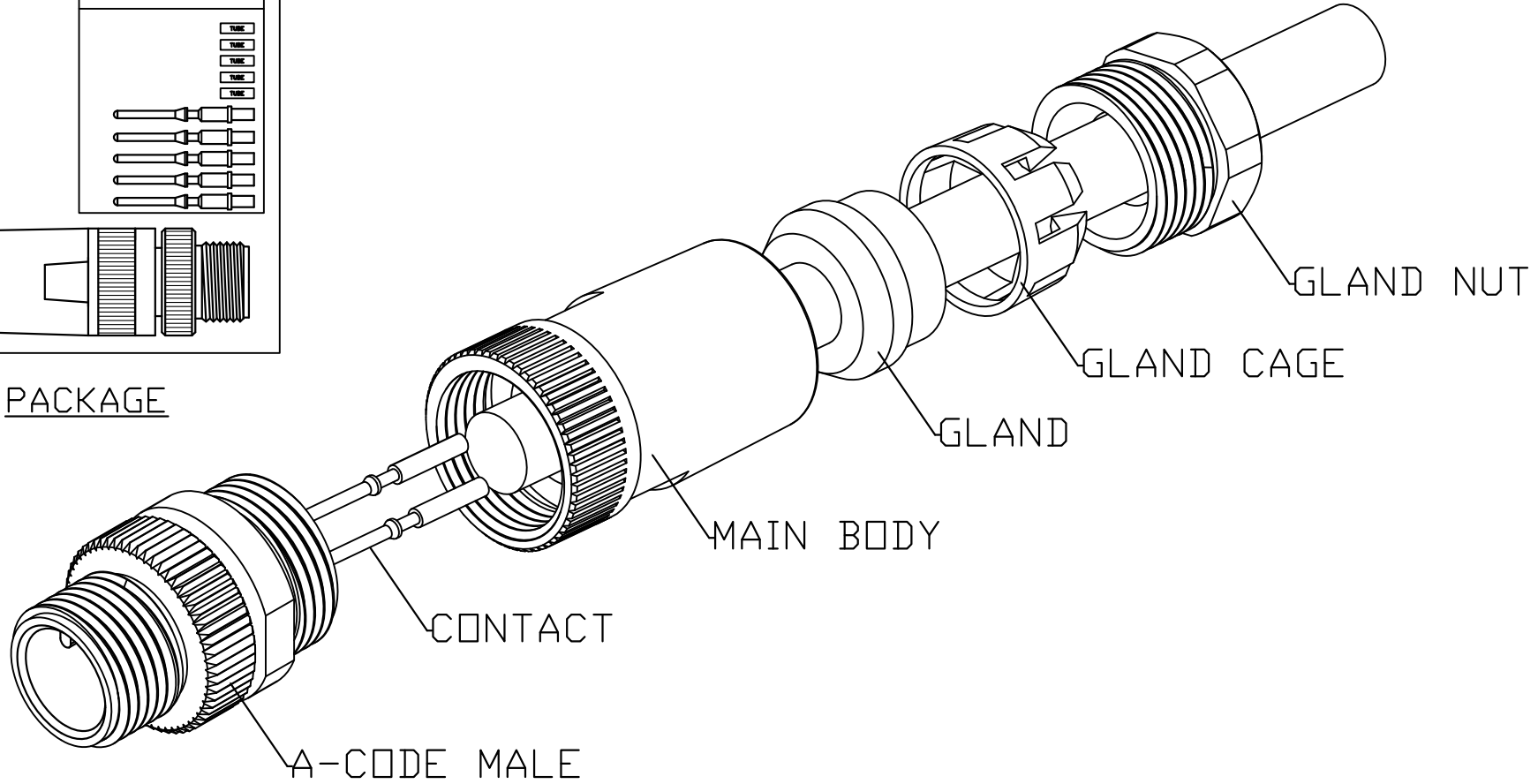
This document is the property of Nian-Yeong Corporation and is delivered on the express condition that it is not to be disclosed, reproduced or used, in whole or in part, for manufacture or sale by anyone other than Nian-Yeong Corporation without its prior consent, and that no right is granted to disclose or to use any information in this document.

CUSTOMER DRAWING

REV.	DESCRIPTION	APPROVED BY	DATE	ECN NO.
A	RELEASE	Fido Weng	10/01/11'	
B	ADD TABLE A	Ku Chou	25/05/18'	
C				



PACKAGE

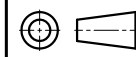


DRAWN	Emily Suen
CHK'D	Ku Chou

APP'D	Ku Chou
-------	---------

UNIT	mm
SCALE	1:1

TOLERANCE	
.x	±0.20
.xx	±0.10
.xxx	±0.05
.xxxx	±0.03
ANGULA	±1°



TITLE	M12 (M) A-CODE CRIMP PIN TYPE			SHEET 2 2
PART NO.	SEE TABLE A	DWG NO.	QC7499	
				VERSION B