

This document is the property of Nian-Yeong Corporation and is delivered on the express condition that it is not to be disclosed, reproduced or used, in whole or in part, for manufacture or sale by anyone other than Nian-Yeong Corporation without its prior consent, and that no right is granted to disclose or to use any information in this document.

CUSTOMER DRAWING

REV.	DESCRIPTION	APPROVED BY	DATE	ECN NO.
A	RELEASE	Fido Weng	04/03/10*	
B				
C				

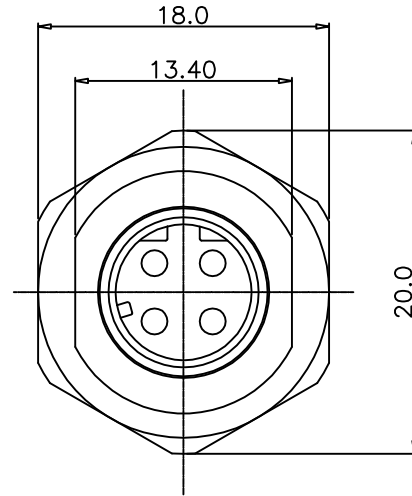
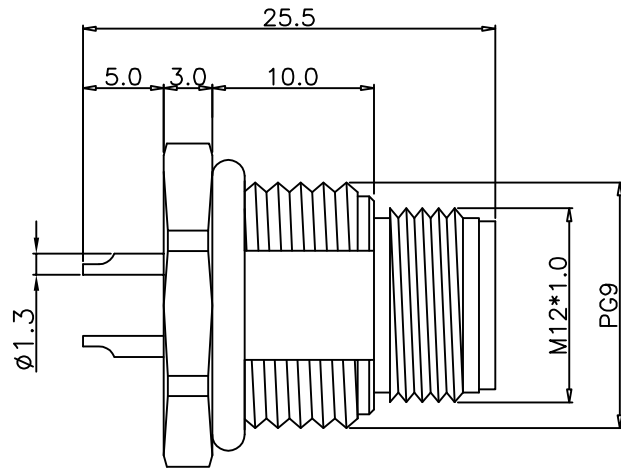
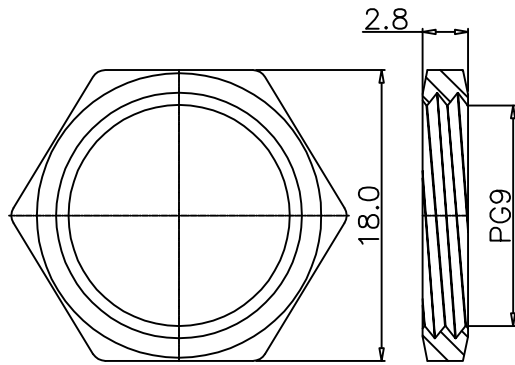
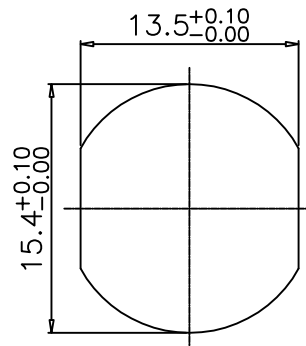


TABLE A

TABLE A			
4PIN	5PIN		
WP-04M2-222-11 WP-04M2-135-11 WP-04M2-134-11	WP-05M2-211-11		
WP-05M2-211-11	BRASS	NICKEL PLATED	GOLD 10u"
WP-04M2-222-11	STAINLESS STEEL 316	PASSIVATION	GOLD 10u"
WP-04M2-135-11	BRASS	NICKEL PLATED	GOLD 10u"
WP-04M2-134-11	BRASS	NICKEL PLATED	GOLD FLASH
PART NO	MATERIAL(SHELL&NUT)	FINISH(SHELL&NUT)	FINISH(CONTACT)



NUT



RECOMMEND PANEL CUT-OUT

- MATERIAL :
 - HOUSING : PBT UL94V-0 ; COLOR : BLACK
 - CONTACT : BRASS
 - NUT : SEE TABLE A
 - SHELL : SEE TABLE A
 - O-RING : EPDM ; COLOR : BLACK
- FINISH :
 - CONTACT : SEE TABLE A
UNDER PLATE : NICKEL
 - NUT : SEE TABLE A
 - SHELL : SEE TABLE A
- ELECTRICAL SPECIFICATION :
 - Rated current : 4A
 - Rated voltage : 4PIN 250V ; 5PIN 60V
 - Water proof : IP67
- Environmental :
 - Operation Temperature : -40°C~85°C

DRAWN	Ku Chou	APPEND	Fido Weng	UNIT	mm	TOLERANCE		TITLE	防水頭 M12 D-Code (M) 前鎖 PG9 焊線式			SHEET
CHOKED	Emily Suen			SCALE	1:1	.x ±0.20 .xx ±0.10 .xxx ±0.05 .xxxx ±0.03 ANGULA ±1°		PART NO.	SEE TABLE A	DWG NO.	QC7521	VERSION
							NIAN YEONG ENTERPRISE					
							年永實業有限公司					