

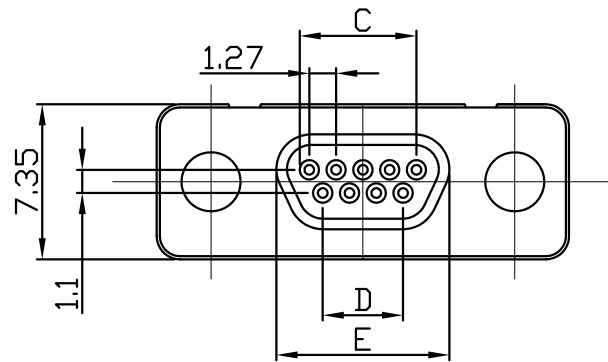
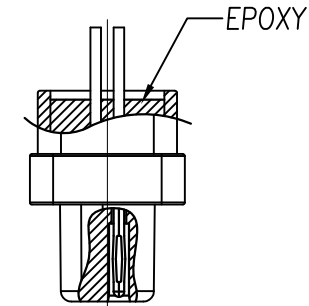
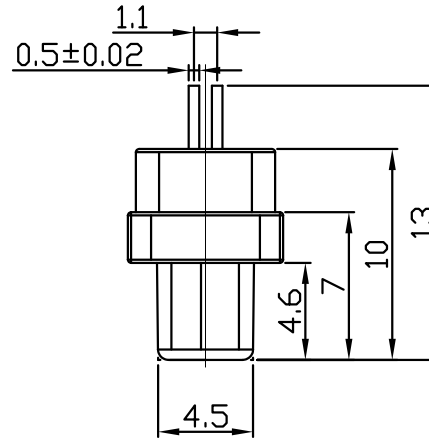
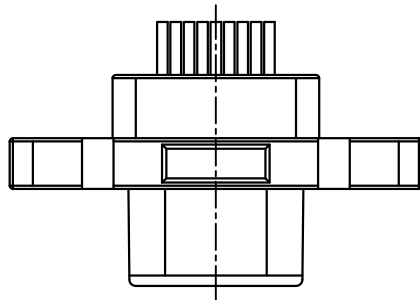
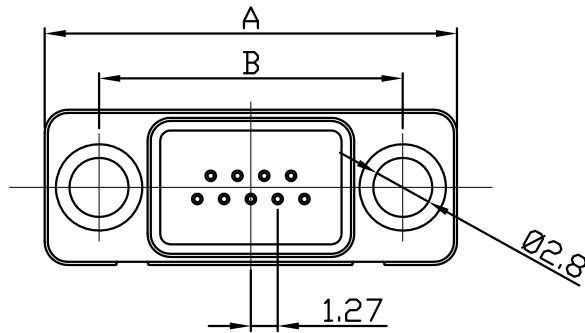
This document is the property of Nian-Yeong Corporation and is delivered on the express condition that it is not to be disclosed, reproduced or used, in whole or in part, for manufacture or sale by anyone other than Nian-Yeong Corporation without its prior consent, and that no right is granted to disclose or to use any information in this document.

CUSTOMER DRAWING

REV.	DESCRIPTION	APPROVED BY	DATE	ECN NO.
A	RELEASE & CHANGE P/N	Emily Suen	07/12/2011*	
B				
C				

TABLE A

P/N	NUMBER OF PINS	A	B	C	D	E
DB-09F2-04	9	19.55	14.35	5.08	3.81	8.20
DB-15F2-02	15	23.36	18.20	8.89	7.62	12.00
DB-25F2-02	25	29.70	24.55	15.24	13.97	18.35



- MATERIAL :
 - 1-1. HOUSING : PBT UL94V-0 ; COLOR : BLACK
 - 1-2. CONTACT : PHOSPHOR BRONZE
 - 1-3. SHELL : Zn Alloy
- FINISH :
 - 2-1. CONTACT : 15u" GOLD OVER 60u" MIN NICKEL ON MATING AREA
60u" MIN BRIGHT TIN OVER 60u" MIN NICKEL ON SOLDER AREA
 - 2-2. SHELL : NICKEL PLATED 60u" ~ 100u" ON OVER ALL
- ELECTRICAL SPECIFICATION :
 - 3-1. RATED CURRENT : 1A at 25C/77F, 0.7A at 70C/158F
 - 3-2. VOLTAGE : 350Vac
 - 3-3. WITHSTANDING VOLTAGE: 630V AC
 - 3-4. CONTACT RESISTANCE: 15 m (MAX) INITIAL
CONTACT RESISTANCE: 30 m (MAX) FINAL
 - 3-5. INSULATION RESISTANCE: 1000 M ohms (MIN)
- Environmental :
 - 4-1. Operation Temperature : -40C~+125C

DRAWN	Yeh Chou	APP'D	Emily Suen	UNIT	mm	TOLERANCE	 NIAN YEONG ENTERPRISE 年永實業有限公司	TITLE	MICRO D-SUB FEMALE 9P-25P			SHEET
CHK'D	Emily Suen			SCALE	1:1	.x ±0.20 .xx ±0.15 .xxx ±0.10 .xxxx ±0.05 ANGULA ±1°		PART NO.	TABLE A	DWG NO.	QC1000	VERSION