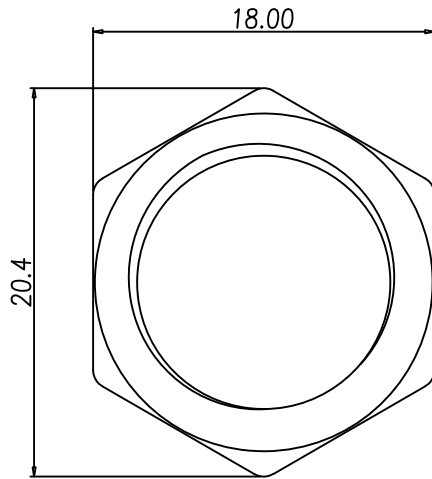


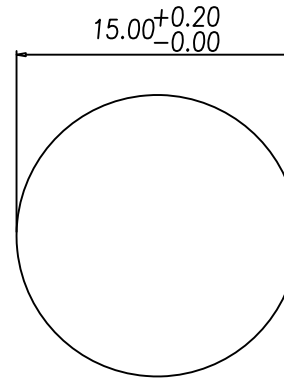
This document is the property of Nian-Yeong Corporation and is delivered on the express condition that it is not to be disclosed, reproduced or used, in whole or in part, for manufacture or sale by anyone other than Nian-Yeong Corporation without its prior consent, and that no right is granted to disclose or to use any information in this document.

CUSTOMER DRAWING

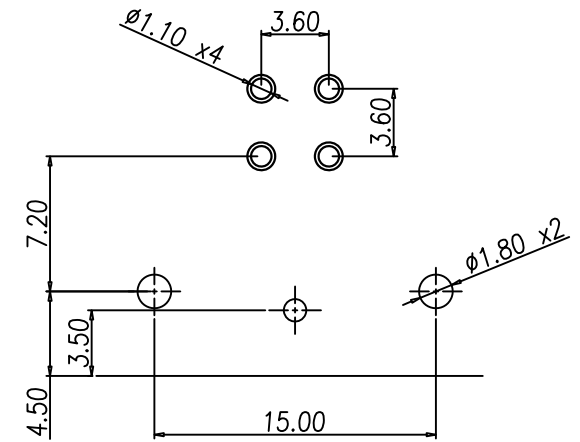
REV.	DESCRIPTION	APPROVED BY	DATE	ECN NO.
A	RELEASE	Fido Weng	22/12/08*	
B				
C				



NUT



PANEL CUT-OUT



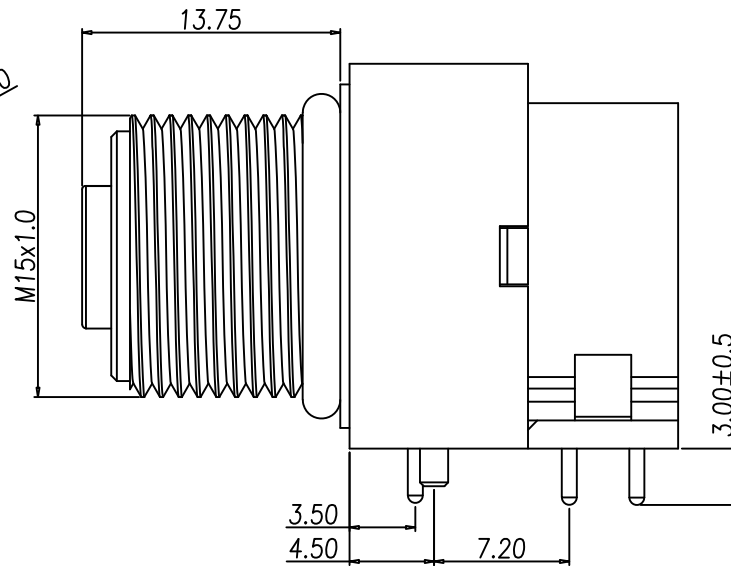
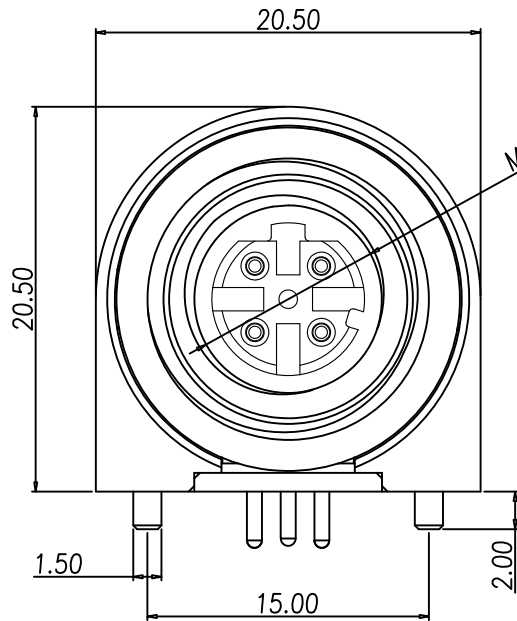
P.C.B. LAYOUT

TABLE A

WP-04F2-05-11	GOLD FLISH
WP-04F2-162-11	GOLD 10u"
PART NO	FINISH

NOTE:

- MATERIAL :
 - 1-1. HOUSING : PBT UL94V-0 ; COLOR : BLACK
 - 1-2. CONTACT : BRASS
 - 1-3. NUT : BRASS
 - 1-4. O-RING : EPDM ; COLOR : BLACK
 - 1-5. BACK HOUSING : PBT UL94V-0 ; COLOR : BLACK
 - 1-6. DOWN HOUSING : PBT UL94V-0 ; COLOR : BLACK
- FINISH :
 - 2-1. CONTACT : SEE TABLE A
UNDER PLATE : NICKEL
 - 2-2. SHELL : NICKEL PLATED.
 - 2-3. NUT : NICKEL PLATED.
- ELECTRICAL SPECIFICATION :
 - 3-1. Rated current : 4A
 - 3-2. Rated Voltage : 250V
 - 3-3. Water proof: IPX7
- Environmental :
 - 4-1. Operation Temperature : -40°~85°



DRAWN	Yeh Chou	APP'D	Emily Suen	UNIT	mm	TOLERANCE		TITLE	WATERPROOF M12*1.0 (F) 90度防水 D-code			SHEET	1/1
CHK'D	Emily Suen			SCALE	1:1	.x ±0.20 .xx ±0.10 .xxx ±0.05 .xxxx ±0.03 ANGULA ±1°		PART NO.	SEE TABLE A	DWG NO.	QC6535	VERSION	A

NIAN YEONG ENTERPRISE
年永實業有限公司