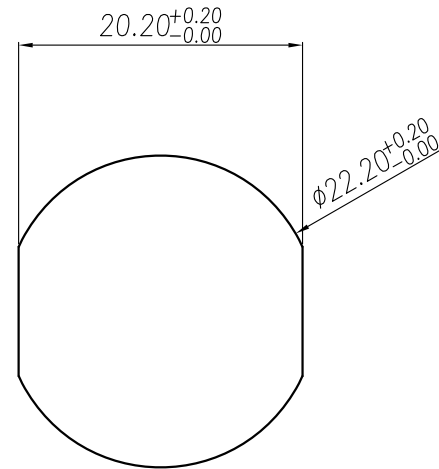
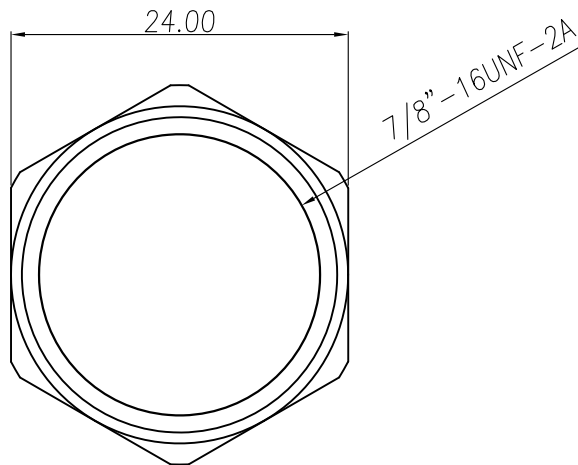
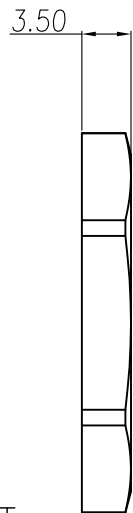
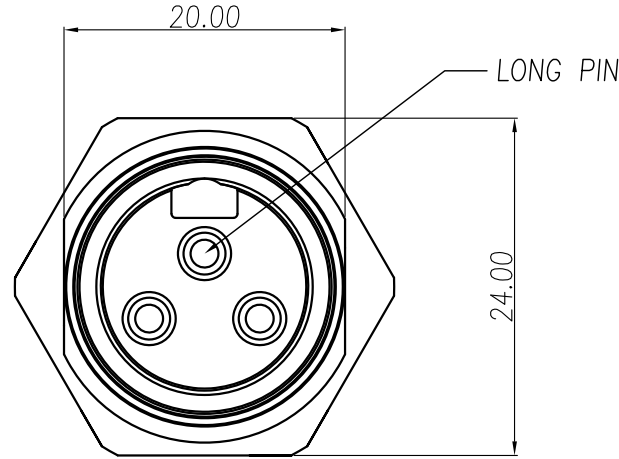
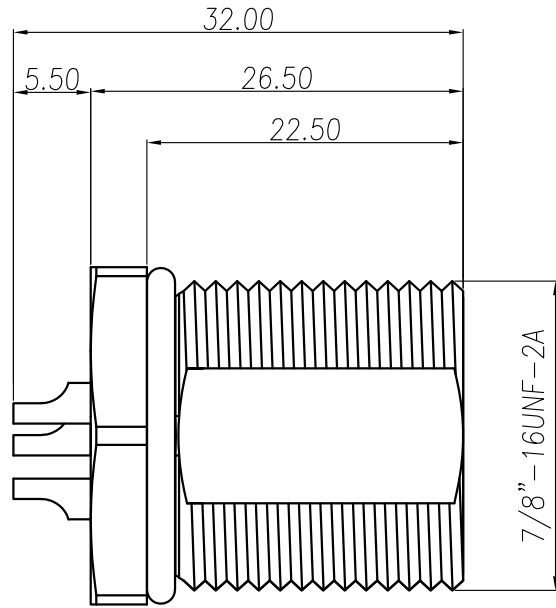


This document is the property of Nian-Yeong Corporation and is delivered on the express condition that it is not to be disclosed, reproduced or used, in whole or in part, for manufacture or sale by anyone other than Nian-Yeong Corporation without its prior consent, and that no right is granted to disclose or to use any information in this document.

CUSTOMER DRAWING

REV.	DESCRIPTION	APPROVED BY	DATE	ECN NO.
A	RELEASE	Fido Weng	07/06/16'	
B				
C				



NUT

PANEL CUT-OUT

- MATERIAL :
 - 1-1. HOUSING : TPU ; COLOR : YELLOW
 - 1-2. CONTACT : BRASS
 - 1-3. O-RING : EPDM ; COLOR : BLACK
 - 1-4. SHELL : BRASS.
 - 1-5. NUT : BRASS.
- FINISH :
 - 2-1. CONTACT : GOLD FLASH OVER ALL
 - 2-2. SHELL : NICKEL PLATED OVER ALL
 - 2-3. NUT : NICKEL PLATED OVER ALL
- ELECTRICAL SPECIFICATION :
 - 3-1. Rated current : 20A
 - 3-2. Rated voltage : 250V
 - 3-3. Water proof : IP68
- Environmental :
 - 4-1. Operation Temperature : -40℃~105℃

DRAWN	Ku Chou	APP'D	Emily Suen	UNIT	mm	TOLERANCE		TITLE	WP 3PIN(M) 插頭 7/8"-16UNF-2A 螺絲式(鍍金鍍) (防呆對平面)			SHEET	
CHK'D	Emily Suen	SCALE	1:1			.x ±0.25 .xx ±0.20 .xxx ±0.10 .xxxx ±0.03 ANGULA ±1°		NIAN YEONG ENTERPRISE 年永實業有限公司	PART NO.	WP-03M2-84-11	DWG NO.	QC8173	