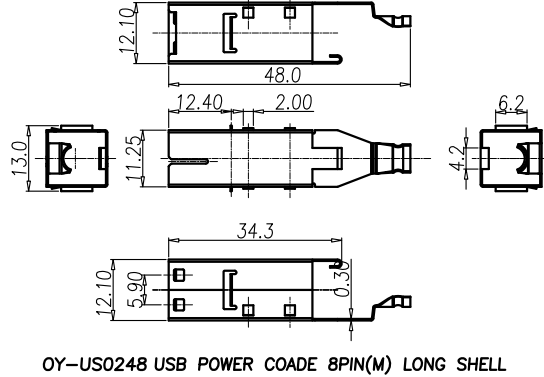
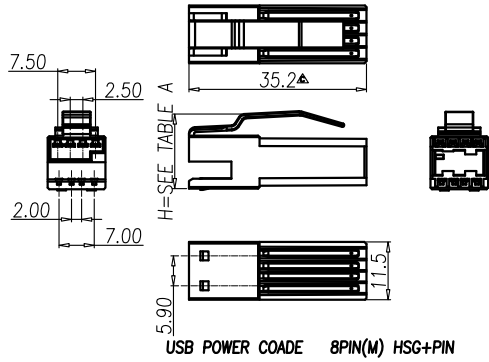


This document is the property of Nian-Yeong Corporation and is delivered on the express condition that it is not to be disclosed, reproduced or used, in whole or in part, for manufacture or sale by anyone other than Nian-Yeong Corporation without its prior consent, and that no right is granted to disclose or to use any information in this document.

### CUSTOMER DRAWING

REV.	DESCRIPTION	APPROVED BY	DATE	ECN NO.
A	RELEASE	Fido Weng	24/05/10*	
B	尺寸變更	Emily Suen	27/08/12*	
C	尺寸變更	Emily Suen	27/08/12*	
D	合辦料號	Fido Weng	06/02/18*	



- MATERIAL :
  - HOUSING : NYLON 66 UL94V-0
  - CONTACT : PHOSPHOR BRONZE
  - LONG SHELL : PHOSPHOR BRONZE
  - SHORT SHELL : PHOSPHOR BRONZE
  - UPPER COVER : ABS.
  - BASE COVER : ABS.
- FINISH :
  - CONTACT : GOLD 10u" MIN ON CONTACT AREA, SHINE TIN 80u" MIN ON SOLDER TAILS, UNDERPLATED NICKEL OVER ALL 50u" MIN.
  - SHELL : TIN PLATED OVER ALL .
- ELECTRICAL SPECIFICATION :
  - RATING VOLTAGE AND CURRENT : 1.5A AT 250V AC MIN, FOR POWER USB : 3.0A AT 250V AC MIN.
  - CONTACT RESISTANCE : 30m Ohm MAX
  - INSULATION RESISTANCE : 1000M Ohm MIN AT DC500V.
  - DIELECTRIC WITHSTANDING VOLTAGE : AC 500V/1 MINUTE.

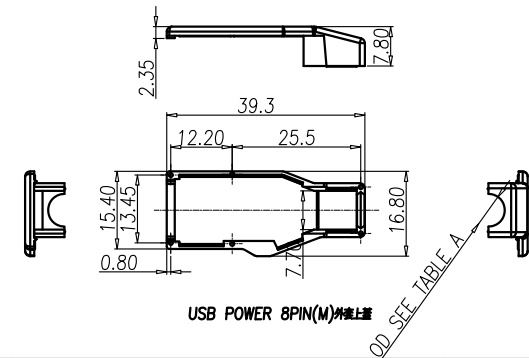
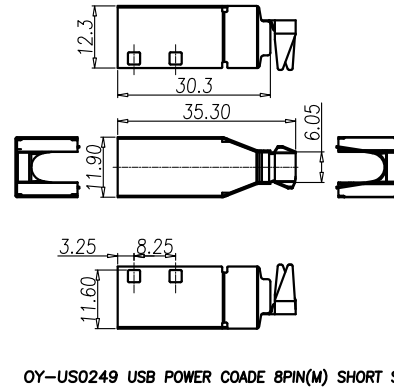
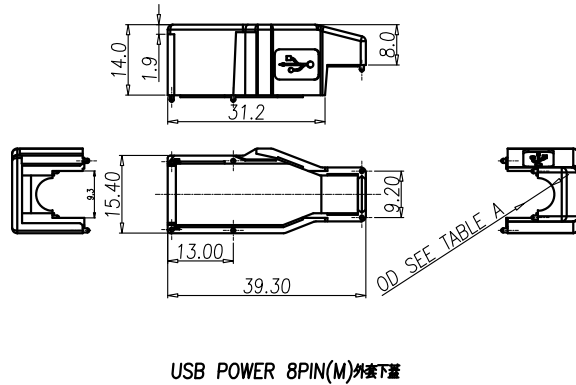
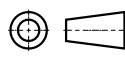


TABLE A

P/N	DESCRIPTION
US-08M2-07	USB POWER 8PIN(M) 12V TYPE H=14.37(黑色外殼OD=7.0)
US-08M2-11	USB POWER 8PIN(M) 12V TYPE H=14.37(貝吉色外殼OD=7.0)
US-08M2-23	USB POWER 8PIN(M) 12V TYPE H=14.77(黑色外殼OD=7.0)
US-08M2-20	USB POWER 8PIN(M) 12V TYPE H=14.77(貝吉色外殼OD=7.0)
US-08M2-05	USB POWER 8PIN(M) 12V TYPE H=14.37(黑色外殼OD=6.5)
US-08M2-02	USB POWER 8PIN(M) 12V TYPE H=14.37(貝吉色外殼OD=6.5)
US-08M2-14	USB POWER 8PIN(M) 12V TYPE H=14.77(貝吉色外殼OD=6.5)
US-08M2-17	USB POWER 8PIN(M) 12V TYPE H=14.77(黑色外殼OD=6.5)
US-08M2-26	USB POWER 8PIN(M) 12V TYPE H=14.37(黑色外殼OD=4.5)
US-08M2-29	USB POWER 8PIN(M) 12V TYPE H=14.37(貝吉色外殼OD=4.5)
US-08M2-32	USB POWER 8PIN(M) 12V TYPE H=14.77(黑色外殼OD=4.5)
US-08M2-35	USB POWER 8PIN(M) 12V TYPE H=14.77(貝吉色外殼OD=4.5)

DRAWN	Jen Xie	APPEND	Fido Weng	UNIT	mm	TOLERANCE
CHOKED	Emily Suen			SCALE	1:1	.x ±0.20 .xx ±0.10 .xxx ±0.05 .xxxx ±0.03 ANGULA ±1*



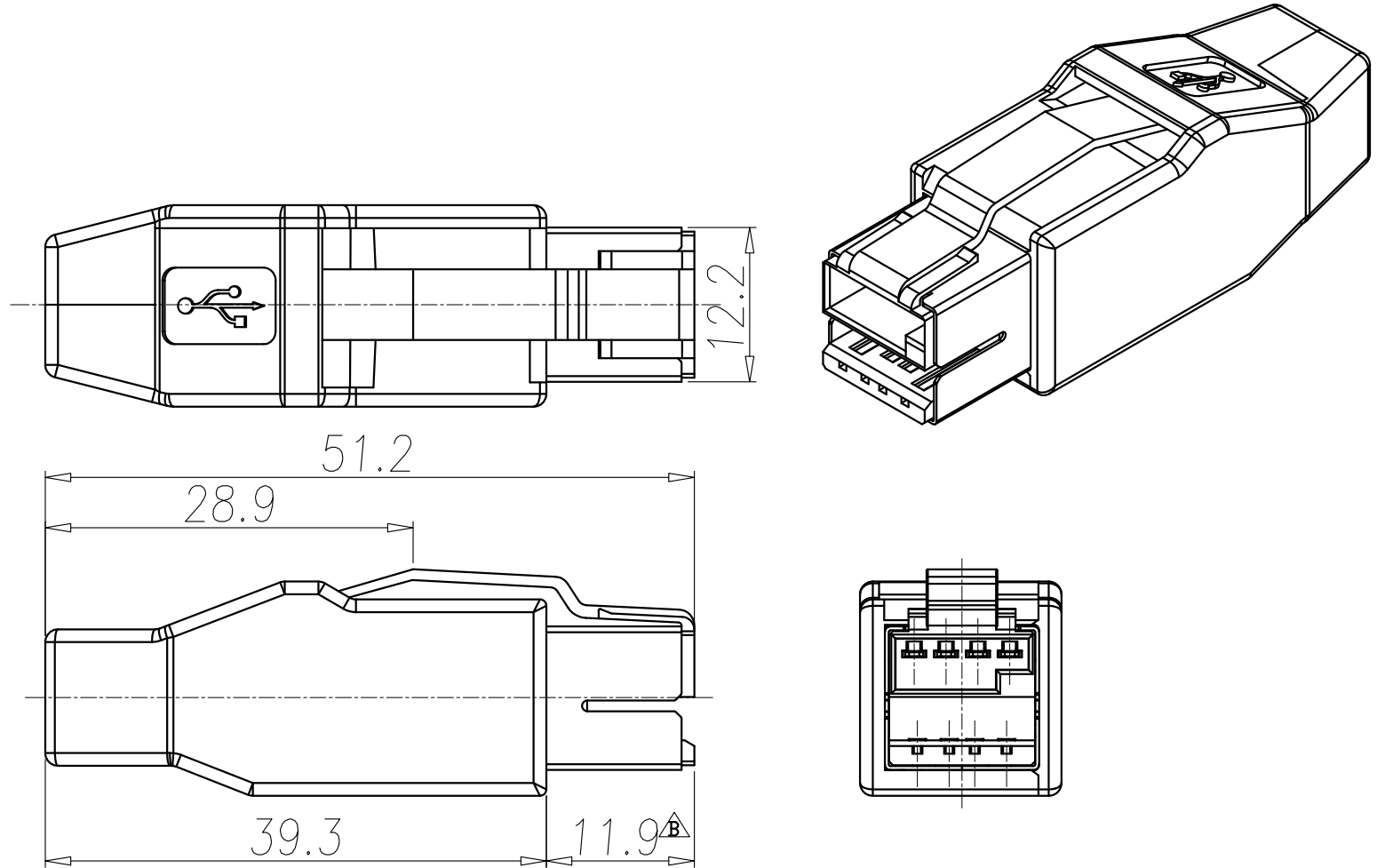
NIAN YEONG ENTERPRISE  
年永實業有限公司

TITLE	SEE TABLE A			SHEET	1/2
PART NO.	SEE TABLE A	DWG NO.	QC2855	VERSION	D

This document is the property of Nian-Yeong Corporation and is delivered on the express condition that it is not to be disclosed, reproduced or used, in whole or in part, for manufacture or sale by anyone other than Nian-Yeong Corporation without its prior consent, and that no right is granted to disclose or to use any information in this document.

CUSTOMER DRAWING

REV.	DESCRIPTION	APPROVED BY	DATE	ECN NO.
A	MODIFY DRAWING	Fido Weng	24/05/10*	
B	尺寸變更	Emily Suen	27/08/12*	
C				



DRAWN	Jen Xie	APPEND	Fido Weng	UNIT	mm	TOLERANCE		TITLE	SEE TABLE A			SHEET	2
CHOKED	Emily Suen			SCALE	1:1	.x ±0.20 .xx ±0.10 .xxx ±0.05 .xxxx ±0.03 ANGULA ±1°		NIAN YEONG ENTERPRISE 年永實業有限公司	PART NO.	SEE TABLE A	DWG NO.	QC2855	VERSION