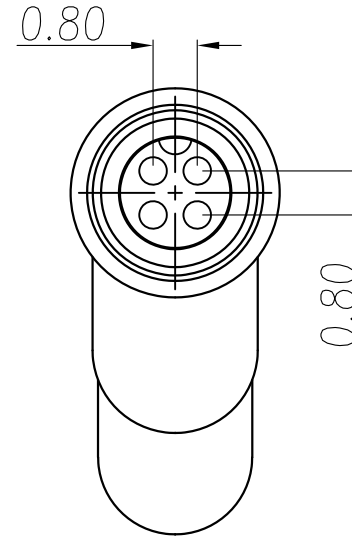
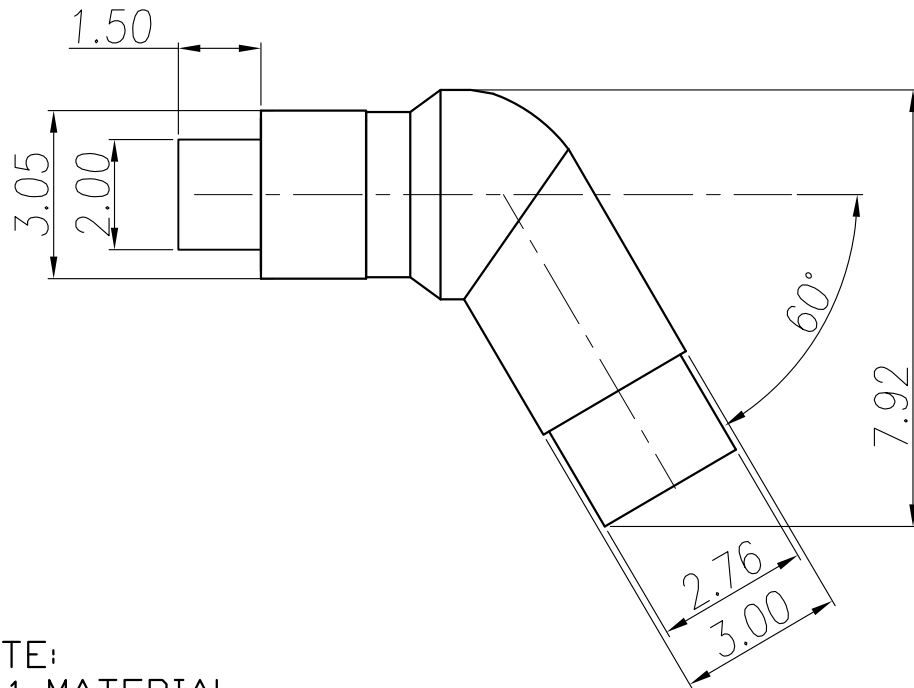


This document is the property of Nian-Yeong Corporation and is delivered on the express condition that it is not to be disclosed, reproduced or used, in whole or in part, for manufacture or sale by anyone other than Nian-Yeong Corporation without its prior consent, and that no right is granted to disclose or to use any information in this document.

CUSTOMER DRAWING

| REV. | DESCRIPTION  | APPROVED BY | DATE      | ECN NO.   |
|------|--------------|-------------|-----------|-----------|
| A    | RELEASE      | Fido        | 21/11/08' |           |
| B    | 增加紅色&藍色 色階代碼 | Fido        | 3/9/15'   | ECN-15014 |
| C    |              |             |           |           |



NOTE:

- MATERIAL
  - 1-1.HOUSING:PBT+15%GF
  - 1-2.CONTACT:BERYLLIUM COPPER
  - 1-3.RING:BRASS
  - 1-3.PLASTIC COVER:ABS
  - 1-4.Color: TABLE A
- PLATING
  - 2-1.CONTACT:GOLD 10u"
  - 2-2.RING:GOLD FLASH

TABLE A

|   |            |             |       |
|---|------------|-------------|-------|
|   | HO-04M2-02 | 助聽器4(M)黑    |       |
| B | HO-04M2-03 | 助聽器4(M)藍    | 300C  |
| B | HO-04M2-04 | 助聽器4(M)紅    | 187C  |
|   | P/N        | DESCRIPTION | Color |

| DRAWN | Yeh Chou | APP'D | Ku Chou | UNIT  | mm  | TOLERANCE  | NIAN YEONG ENTERPRISE<br>年永實業有限公司 |  | TITLE    | TABLE A |         |        | SHEET        |
|-------|----------|-------|---------|-------|-----|--|-----------------------------------|--|----------|---------|---------|--------|--------------|
| CHK'D | Yeh Chou |       |         | SCALE | 1:1 | .x ±0.20<br>.xx ±0.10<br>.xxx ±0.05<br>.xxxx ±0.03<br>ANGULA ±1° |                                   |  | PART NO. | TABLE A | DWG NO. | QC2197 | VERSION<br>B |